



PRODUCTS
Global Catalog

01

<https://u-a-i.com/en/arakawagrip>

Arakawa Hanging Systems International
3-15, Kinseisyu Bldg. 1st Fl.,
Kanda Nishikicho, Chiyoda-ku, Tokyo 101-0054 JAPAN
E-mail: sales@u-a-i.com TEL : +81-(0)3-5281-1531

The products are patented. Copyright 2017 Arakawa & Co., Ltd. All rights reserved.
For your safety, make sure that the products bear the "A" mark.
Specifications and appearance of the products are subject to change due to improvements.

We are honored that the Arakawa system is installed in so many renowned museums around the world.
Please feel free to visit these wonderful establishments to which are very grateful to be a part of.

Europe

National Gallery London, UK
 Sotheby's London, UK
 Musee Fabre Montpellier, France
 Gallerie dell' Accademia Venice, Italy
 Galleria Borghese Rome, Italy
 Museo del Prado Madrid, Spain
 Tretyakov Gallery Moscow, Russia
 Hermitage St.Petersburg, Russia

Asia / Japan

The Palace Museum Beijing, China
 Shanghai Museum Shanghai, China
 The Nanjing Museum Nanjing, China
 National Palace Museum Taipei, Taiwan
 The National Museum of Western Art Tokyo, Japan
 Tokyo National Museum Tokyo, Japan
 Kyoto National Museum Kyoto, Japan
 The National Museum of Modern Art Tokyo & Kyoto
 *most other Museums in Japan.

North America

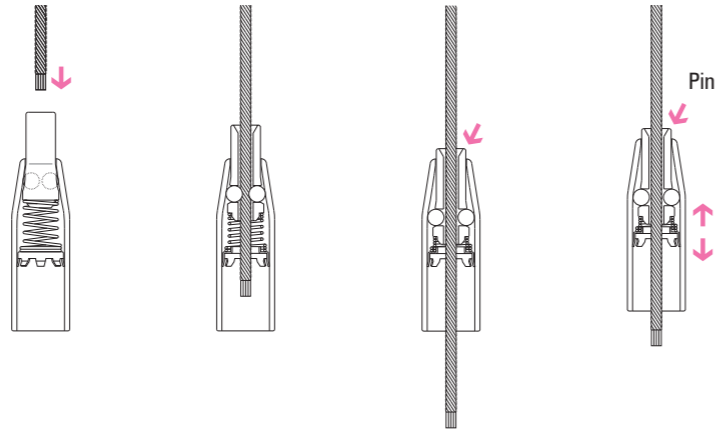
Asian Art Museum
 San Francisco, CA Fine Arts Museum San Francisco, CA
 J.Paul Getty Museum Los Angeles, CA
 The Los Angeles County Museum of Art Los Angeles, CA
 Denver Art Museum Denver, CO
 Yale University Art Gallery New Haven, CT
 National Gallery Washington, DC
 Renwick Gallery Washington, DC
 Smithsonian American Art Museum Washington, DC
 Biggs Museum of American Art Dover, DE
 Oak Hill & Martha Berry Museum Mt.Berry, GA
 Bishop Museum Honolulu, HI
 Abraham Lincoln Presidential Library Springfield, IL
 Arna-Bontemps African Art Museum Alexandria, LA
 Museum of Fine Arts Boston, MA
 The Detroit Institute of Art Detroit, MI
 Poeh Cultural Center & Museum Santa Fe, NM
 Cooper-Hewitt Design Museum New York, NY

Dahesh Museum New York, NY
 Samuel Dorsky Museum of Art New Paltz, NY
 The Metropolitan Museum of Art New York, NY
 The Cleveland Museum of Art Cleveland, OH
 Philadelphia Museum of Art Philadelphia, PA
 Amon Carter Museum Fort Worth, TX
 Kimbell Museum Fort Worth, TX
 Modern Art Museum Fort Worth, TX
 North American Museum of Ancient Life Lehi, UT
 Mt.Vernon Museum Mt.Vernon, VA
 Washington State University Museum of Art Pullman, WA
 National Museum of Wildlife Art Jackson, WY
 Montreal Museum of Fine Arts Montreal, Quebec

CONTENTS

what is ARAKAWA GRIP?	2
what is ARAKAWA GRIP?	2
Safe Working Load	2
Features	2
how to use ARAKAWA GRIP?	3
Safety Instructions	4
Attention	5
Applications	6
ITEM MAP	10
picture rails and hanging systems	14
for Display and Picture hanging	15
for Picture hanging	23
ceiling	30
recessed	31
nut anchor	32
bolt anchor, universal	33
loop system	34
midway	36
hook	37
ring	40
pipe	41
shelving	42
glass / acrylic shelving	45
panel	47
panel hanger for acrylic panel	48
board hanging	49
mounted	50
floor	52
anchor	53
floor mounted	54
anchor, universal	55
anchor, screw	56
hook	57
wire end	57
wire	58
midway new items	59-63
INDEX	64

what is the ARAKAWA GRIP mechanism?



Insert the wire into grippers to lock into place. Press the pin to release, release the pin to grip

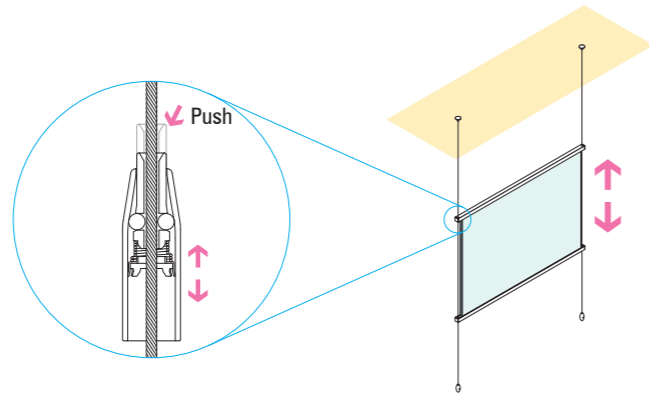
Safe Working Load

Please follow our suggested safe working loads and appropriate wire selection.

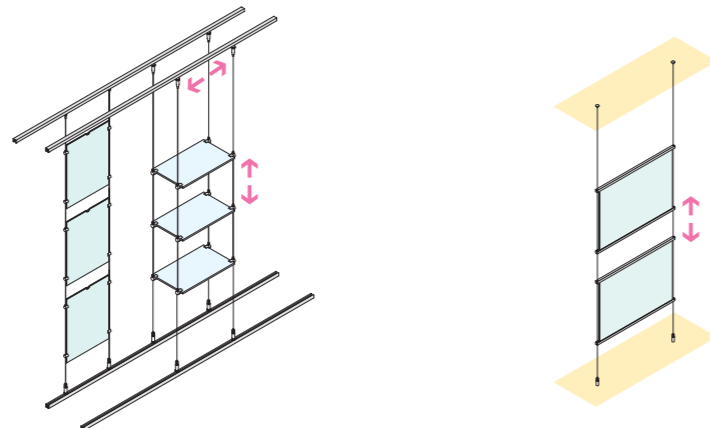
Wire Selection (mm)	φ0.6	φ0.8	φ1.0	φ1.2	φ1.5	φ2.0	φ2.5	φ3.0	φ4.0	φ5.0	φ6.0
Safe Working Load (kg)	3	5	8	10	30	50	70	100	150	200	300

Safe working loads are at least 1/3 of the breaking strength. Please contact us if you would like to use our products under dynamic load.

Features



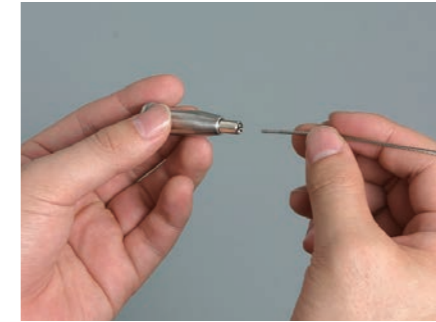
Adjustable along the wire with one push, locks without set screw.



Rail system allows for horizontal mobility Floor tensioner can fix wire.

how to use ARAKAWA GRIP?

Standard usage



Insert the wire through the pin completely into the Grippers (as shown). If the wire isn't properly inserted, it may be pulled out.



Press and hold the pin to release and pull out the wire.

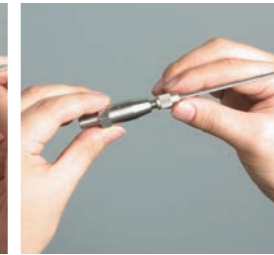
Safety cap usage



Unscrew the cap.



Insert the wire fully in the pin.



Screw the cap down tightly.



Loosen the cap when you want to move the gripper.



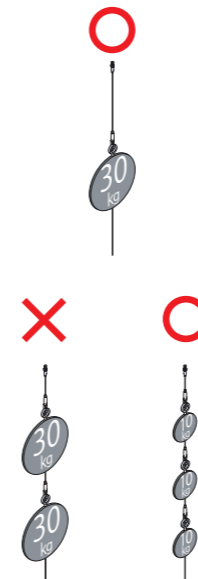
The safe working load in case of multiple wires

$$\text{Safe working load of wire diameter} \times \text{number of wires} \times 0.6$$

Safe working load by one point hanging

$$\text{Safe working load of wire diameter} \times 1 \text{ wire} \times 100\%$$

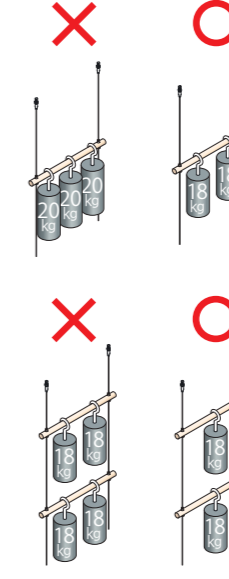
(example) $30\text{kg} \times 1 = 30\text{kg}$



Safe working load by two point hanging

$$\text{Safe working load of wire diameter} \times 2 \times 60\%$$

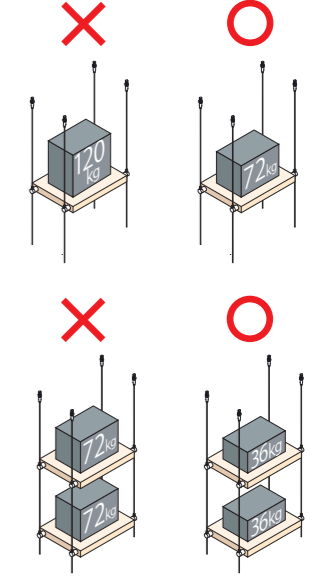
(example) $30\text{kg} \times 2 \times 0.6 = 36\text{kg}$



Safe working load by four point hanging

$$\text{Safe working load of wire diameter} \times 4 \times 60\%$$

(example) $30\text{kg} \times 4 \times 0.6 = 72\text{kg}$



Note: In case of 5 point hanging or more, please deal with the same load limit as 4 point hanging.

Please read the instructions below carefully. If you have any questions or concerns regarding any of this information, please contact us or a local distributor for assistance.

Static Safe Working Load

When choosing wire size, determine the wire's diameter in accordance with the weight of the items. Please refer to the table below to follow the suggested load limits and appropriate wire selection. Also, please make sure to follow the recommended wire diameter and safe working load for each product.

Wire Selection (mm)	φ0.6	φ0.8	φ1.0	φ1.2	φ1.5	φ2.0	φ2.5	φ3.0	φ4.0	φ5.0	φ6.0
Safe Working Load (kg)	3	5	8	10	30	50	70	100	150	200	300
Breaking Strength (kgf)	16.5 16.8	30.2 34.5	47.6 50	56.2 73.4	84.8 95.7	143 146	228 242	310 330	467 543	1,030 1,090	1,750 1,900

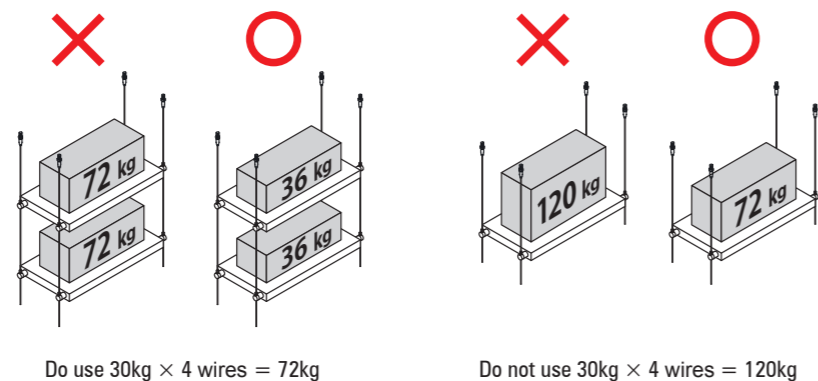
Safe working loads are at least 1/3 of the breaking strength. Please contact us if you would like to use our products under dynamic load.

Caution

- Safe working load and breaking strength are the weights that both the cable and gripper can operate.
- For your safety, please use our company's wire and products in together.
- Safe working loads of some products are different from the safe working load of the cables. When using our products in combination, the lowest safe working loads of the products should be applied.

- The safe working load of φ5.0 and 6.0 wire only applies to the WF series.
- When multiple items are installed on a single cable, please make sure that the total load of items does not exceed the safe working load.
- Multiple the number of cables by its suggested load (and then by 60% if you have multiple wires) to determine if your weight requirements are met. (see the figure on the right). In case of 5 point hanging or more, please follow the same load limit of 4 point hanging.
- When multiple the number of wires are used, please make sure that safe working load is equally applied to each wire not to concentrate on the load one wire

Safe working load of wire diameter × number of wires × 60% = The safe working load



Warning

- Do install grippers or rails into structural framework, or use anchors as appropriate.
- Make sure the gripper is correctly aligned. Ceiling-mounted grippers should have the pin facing down, but all others will have the pin facing up. (Fig.1)
- Make sure to insert wire into the gripper completely before using it. (Fig.2)
- Please do not use wires thinner than the wire diameter that is compatible.
- Do not disassemble or modify our products.
- When using a universal type, do not use it by tilting it more than the allowable angle. Our products may be impossible to grip the wire and may fall. Also, the wire may be broken and impossible to use. (Fig.3)
- Check on the wire to make sure that there is nothing wrong such as broken ends or fraying (Fig. 4).
- Do not pull our products strongly. Ceiling equipments or items may fall. (Fig.5) And please note that children do not play with it.
- Do not use our products for applications such as riding or hanging that may threaten human lives. (Fig.5)
- Please select and use the product with allowance for safe working load. Due to shaking and uneven loading, unexpected load may be applied to each wire. (Fig. 6)
- Do not use our products after using overload. The parts may be damaged and it is not possible to obtain sufficient strength.

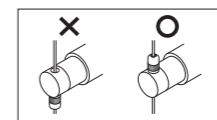


Fig.1

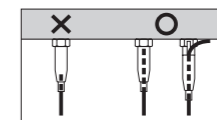


Fig.2

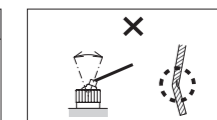


Fig.3



Fig.4

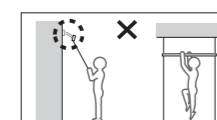


Fig.5

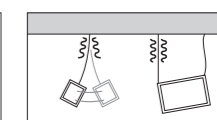


Fig.6

Caution

- Please install items in pairs at least to avoid any accidents.(Fig.7)
- Please only use Arakawa and Arakawa approved wire systems to avoid damaging both the grippers and wires.
- Please make sure that the wire do not contact with hanging items, walls and other materials. The wire may be scratched, which may cause strength reduction.
- Please increase wire diameters to make allowance for installing items in high traffic areas where people contact the items because the excessive tension may be applied and the safe working load may be exceed.
- When hanging items in midair, please make allowance for installing it, which may damage the items, walls and others in case the items shake.
- Be careful not to get injured when handling the frayed wire. And please replace wires or cut the end of the wire because the frayed cable cannot be inserted into our products. (Fig. 8)
- Wire ends must be neat and clean to avoid fraying, if fixing with glue, allow glue to dry completely before installing the wire into the hardware.
- When using our products, positioning the wire vertically down from the rail will be optimal. Positioning the wire in a different way, such as diagonally, will lower the safe working load.
- Do not use our universal type products in the wrong direction which do not rotate. (Fig.9)
- Please operate floor attachments (AM-23, BS-23, SF-23, MF-23 etc.) by hands. The excessive tension may cause the attachments break.
- Do not use our products under the condition that twisting force is always applied to the wire, such as rotating the hanging items. The wire may be pull out the grippers.(Fig.10)

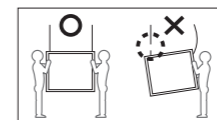


Fig.7

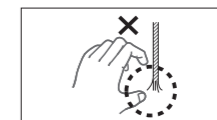


Fig.8

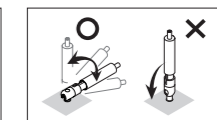


Fig.9

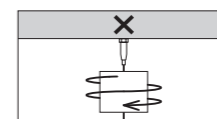


Fig.10

Note

- Please make sure that wire and grippers must be a straight line. (Fig.11)
- Do not apply excessive load on the wire intentionally when the wire is tensioned.
- Do not pull the wire strongly with bare hands, or you will get injured.
- Do not use our products outdoors or in environments with excessive moisture or chemicals.
- Do not use our products as a structure.
- Please make sure to screw the safety caps of grippers completely.
- When attaching products to shelves, pipes, etc., the tension of the wires may loosen due to elongation by the weight. In that case, please tighten the wire again with the floor attachment.
- New grippers may not move smoothly due to factors such as wire clogs and dust clogging inside the grippers under installing. Also, dust may accumulate inside after long time use of grippers. In these case, please replace the new gripper.
- Before using our products, be sure to check the specifications and confirm whether it applies to the purpose of use.

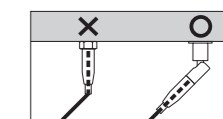
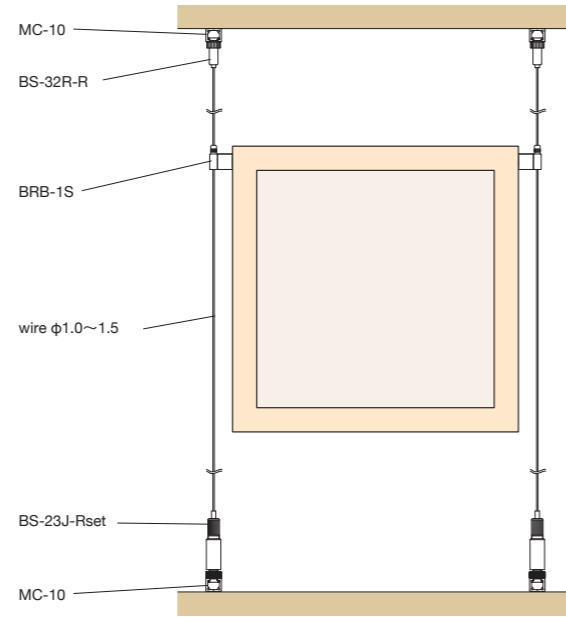


Fig.11

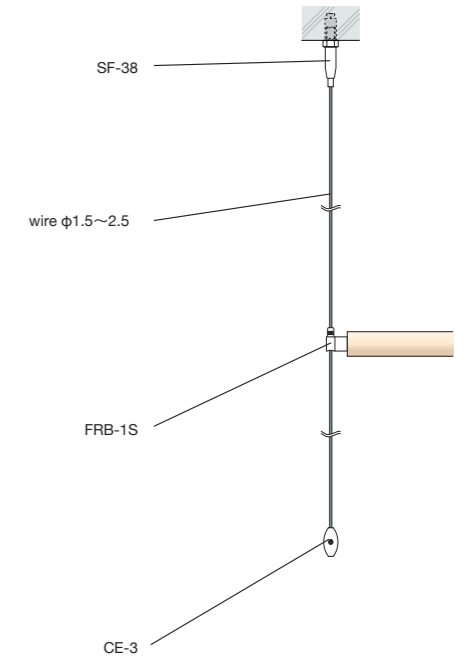
Applications



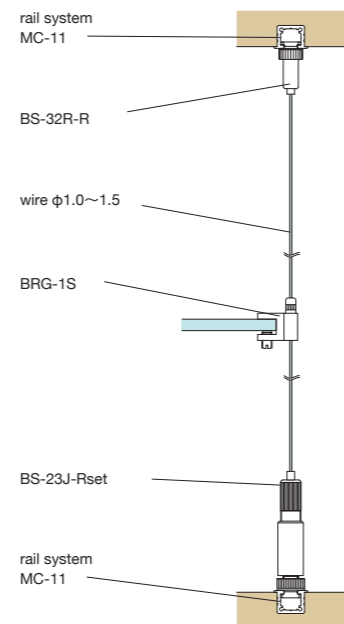
Shop display - wooden box **8kg ~ 30kg**
 $\phi 1.0 \sim \phi 1.5$



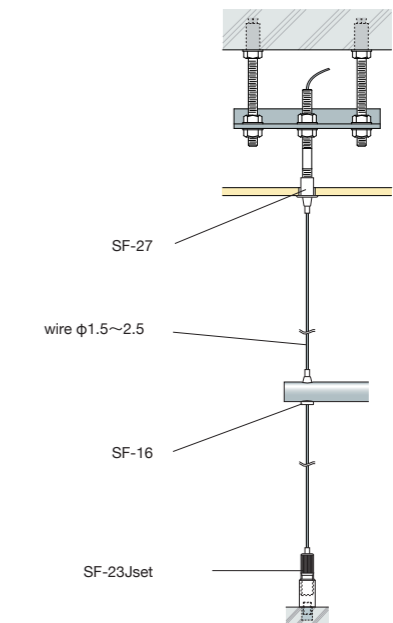
Shop display - pipe hanging **30kg ~ 70kg**
 $\phi 1.5 \sim \phi 2.5$



Shop display - glass shelving **8kg ~ 30kg**
 $\phi 1.0 \sim \phi 1.5$



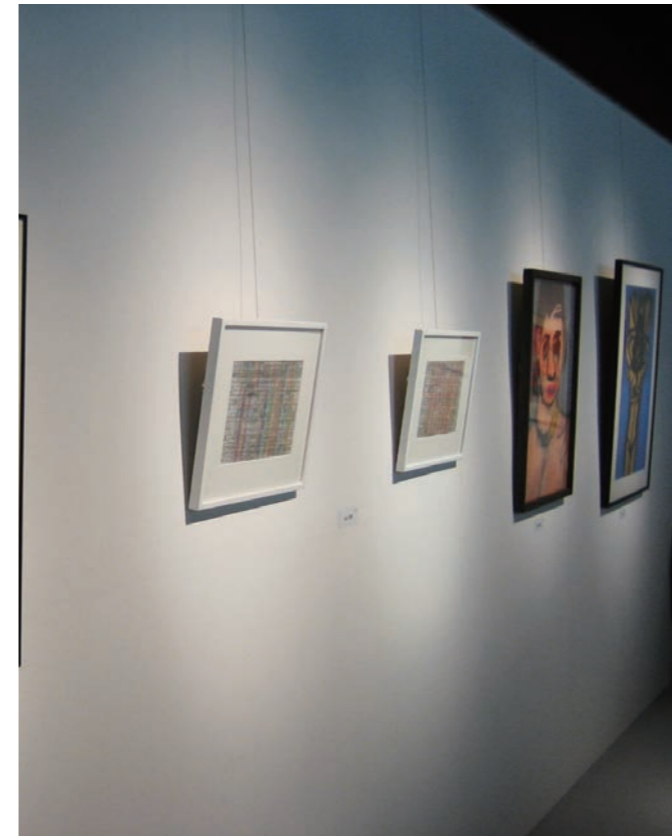
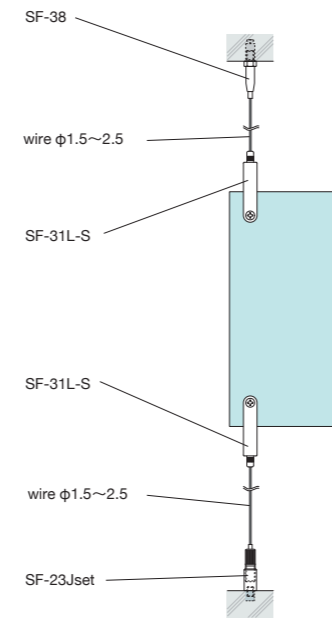
Shop display - pipe hanging **30kg ~ 70kg**
 $\phi 1.5 \sim \phi 2.5$





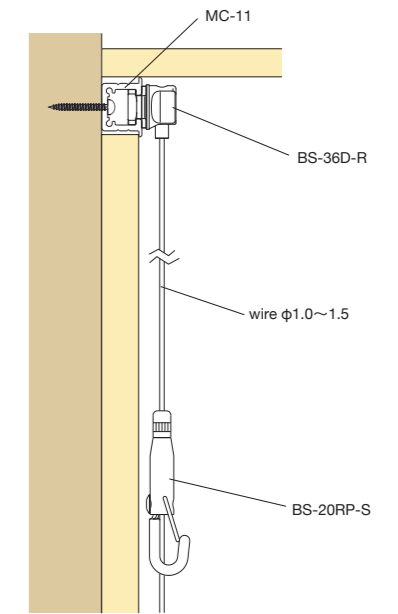
Sign and panel hanging

30kg ~ 70kg
 $\phi 1.5 \sim \phi 2.5$



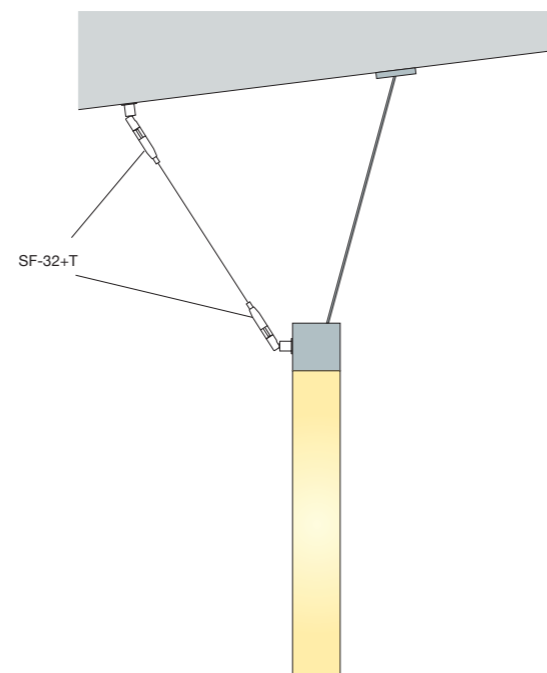
Picture hanging

8kg ~ 30kg
 $\phi 1.0 \sim \phi 1.5$



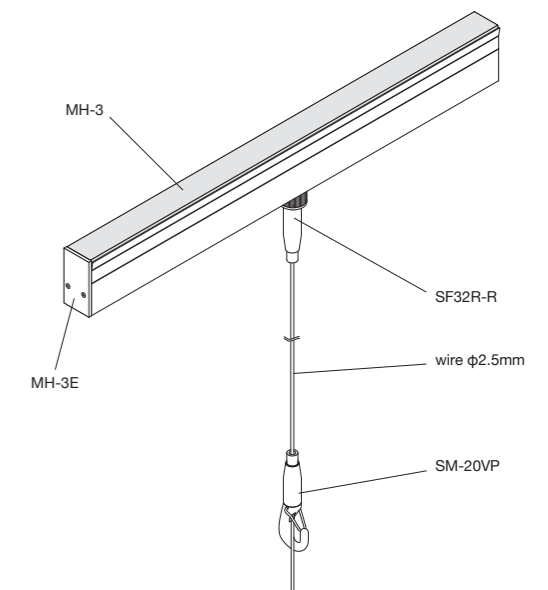
Lighting

30kg ~ 70kg
 $\phi 1.5 \sim \phi 2.5$

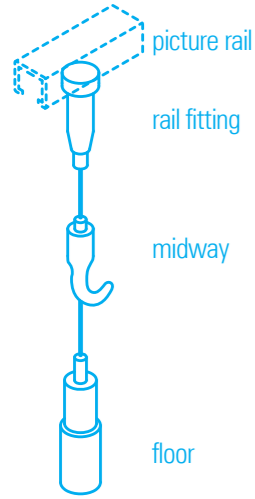


Picture hanging

30kg ~ 70kg
 $\phi 1.5 \sim \phi 2.5$

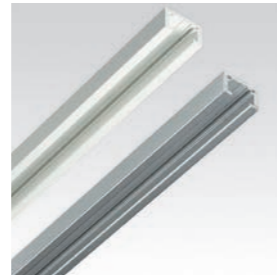


ITEM MAP



picture rail for Display and Picture hanging

ceiling-, wall-, floor-mounted



MC-10
φ0.6-φ1.5



MC-11
φ0.6-φ1.5

ceiling-mounted



MH-1
φ0.6-φ2.5

MC / MH rail fitting -ceiling-



AM-32R-R
φ0.6-φ0.8



BS-32R-R
φ1.0-φ1.5



BS-32U-R
φ1.0-φ1.5



BS-36D-R
φ1.0-φ1.5

MH rail fitting -ceiling-



SF-32R-R
φ1.5-φ2.5



SF-32+TR-R
φ1.5-φ2.5

MC rail fitting -floor tensioner-



AM-23 + AM-23J-R
φ0.6-φ0.8



BS-23J-Rset
φ1.0-φ1.5



BS-23 + BS-23U-R
φ1.0-φ1.5



TF-18+TR-R
φ1.5-φ2.5

for Picture hanging

wall-mounted



CRE
φ1.0-φ1.2

CRE rail fitting



CF-1 white
φ1.0-φ1.2

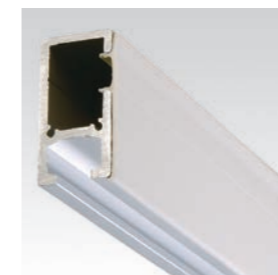


CRJ
φ1.0-φ1.5

CRJ rail fitting



CR-1
φ1.0-φ1.5



MH-3
φ0.6-φ2.5

MH rail fitting



SF-32R-R
φ1.5-φ2.5



VH-4
φ1.5-φ4.0

VH-4 rail fitting



VJ-HD cableset
φ3.0-φ4.0



HJ-HD cableset
φ1.5-φ2.5

ceiling - point

recessed



BS-27
φ1.0-φ1.5 p.33



SF-27
φ1.5-φ2.5 p.33



MF-27S
φ3.0 p.33

nut anchor



BS-38+T
φ1.0-φ1.5



SF-38
φ1.5-φ2.5



MF-38S
φ3.0

bolt anchor, universal



BS-32+T
φ1.0-φ1.5



SF-32+T
φ1.5-φ2.5



MF-32+T-S
φ3.0



WF-32+T
φ3.0-φ6.0

loop system



BS-25
φ1.0-φ1.5

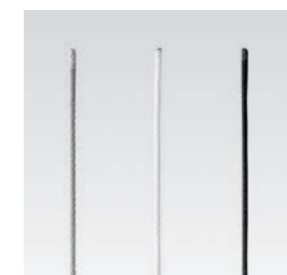


SF-25(S)
φ1.5-φ2.5



MF-25S
φ3.0

wire



silver / white / black

midway

hook



AM-20
φ0.6 - φ0.8

AF-3
φ1.0 - φ1.2

AF-3P
φ1.0 - φ1.2



AF-3P SUS
φ1.0 - φ1.5

BS-20RP(S)
φ1.0 - φ1.5

KH-1S
φ1.0 - φ1.5

SF-20RP(S)
φ1.5 - φ2.0



KH-2S
φ1.5 - φ2.0

SM-20VP(S)
φ2.5 - φ3.0

VF-20S
φ4.0

ring



BS-21
φ1.0 - φ1.5

SF-21
φ1.5 - φ2.5

MF-21S
φ3.0

pipe



BS-16
φ1.0 - φ1.5

SF-16(S)
φ1.5 - φ2.5

MF-16S
φ3.0

WF-16
φ3.0 - φ6.0

shelving



BRB-1S
φ1.0 - φ1.5

BRB-2S
φ1.0 - φ1.5

FRB-1S
φ1.5 - φ2.5

FRB-2S
φ1.5 - φ2.5



BS-35(S)
φ1.0 - φ1.5

SF-35(S)
φ1.5 - φ2.5

MF-35S
φ3.0



BU-70
φ1.0 - φ1.5

SU-70
φ1.5 - φ2.5

BRL-1S
φ1.0 - φ1.5

glass / acrylic shelving



BS-35+R
φ1.0 - φ1.5

SF-35+R
φ1.5 - φ2.5

MF-35+R-S
φ3.0



BRG-1S
φ1.0 - φ1.5

BRG-2S
φ1.0 - φ1.5

FRG-1S
φ1.5 - φ2.5

FRG-2S
φ1.5 - φ2.5

board hanging



AD-1
φ1.0 - φ1.2

BS-30B(S)
φ1.0 - φ1.5

SF-30B(S)
φ1.5 - φ2.5

MF-30S
φ3.0

panel

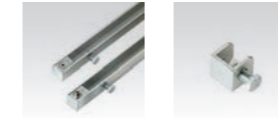


BS-31
φ1.0 - φ1.5

SF-31S
φ1.5 - φ2.5

SF-31L-S
φ1.5 - φ2.5

panel hanger for acrylic panel



PPH-1R-620 silver
φ1.0 - φ1.5

PPH-1PR silver
φ1.0 - φ1.5

mounted



AMK-12
φ0.6 - φ0.8

AM-26
φ0.6 - φ0.8

B5R6(S)
φ1.0 - φ1.5

BS-26(S)
φ1.0 - φ1.5



FK-16S
φ1.5 - φ2.5

SF-26N-S
φ1.5 - φ2.5

MK-16S
φ3.0

WF-21B
φ3.0 - φ6.0

floor - tensioner

anchor



AM-23Jset
φ0.6 - φ0.8

BS-23Jset
φ1.0 - φ1.5

SF-23Jset
φ1.5 - φ2.5

MF-23Jset
φ3.0

floor mounted



BS-23 + BS-23L
φ1.0 - φ1.5

SF-23 + SF-23L
φ1.5 - φ2.5

MF-23 + MF-23L
φ3.0

anchor, universal



BS-23 + BS-23U
φ1.0 - φ1.5

SF-23 + SF-23U
φ1.5 - φ2.5

anchor, screw type



BS-23Jset + 32B
φ1.0 - φ1.5

BS-23 + BS-23U + 32B
φ1.0 - φ1.5

SF-23Jset + 32C
φ1.5 - φ2.5

MF-23Jset + 32C
φ3.0

hook



SP-1
φ1.0 - φ1.5

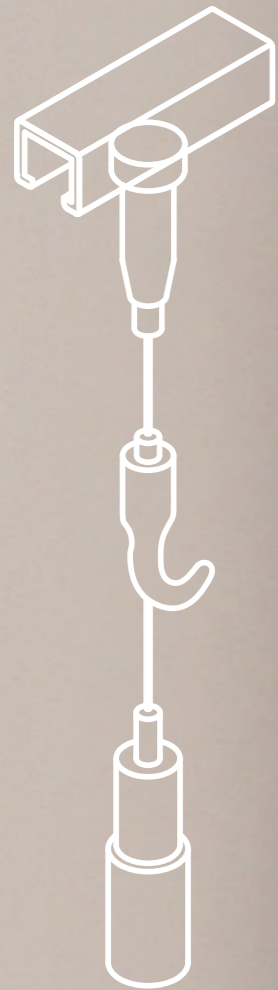
SP-3
φ1.0 - φ1.5

wire end



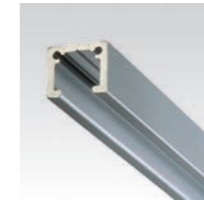
CE-3
φ0.6 - φ2.5

picture rails and hanging systems



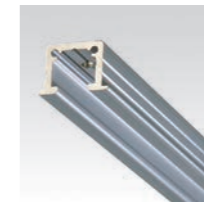
for Display
and
Picture hanging

30 kg
MC-10



ceiling-mounted, wall-mounted, floor-mounted

30 kg
MC-11



ceiling-mounted, wall-mounted, floor-mounted

70 kg
MH-1



ceiling-mounted

for Picture hanging

10 kg
CRE



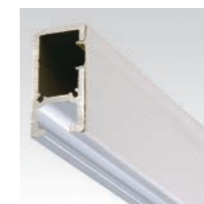
wall-mounted

30 kg
CRJ



wall-mounted

70 kg
MH-3



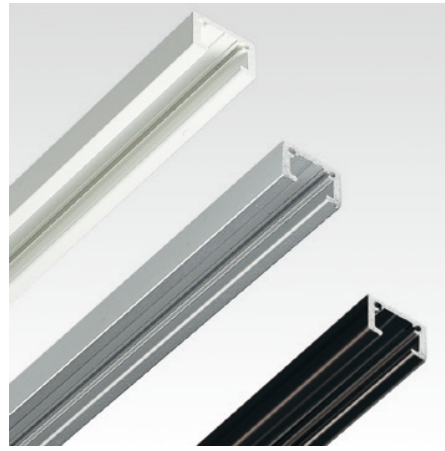
wall-mounted

150 kg
VH-4



wall-mounted

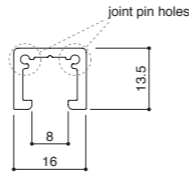
picture rail / ceiling-, wall-, floor-mounted



MC-10

30kg/m

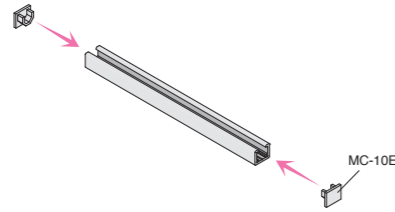
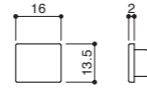
Type: ceiling-, wall-, floor-mounted
 Function: rail system
 Material: aluminum
 Finish: anodized aluminum (silver, black or white)
 —
 Description
 anchor placement: within 300mm
 MC-10 is suitable for surface-mounted applications.
 length : 2,000mm



- MC-10 2000 silver CODE:126101
- MC-10 2000 white CODE:126102
- MC-10 2000 black CODE:126100

MC-10E

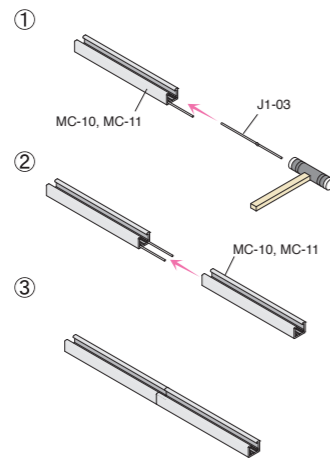
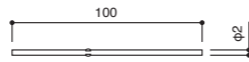
Function: end cap
 Material: plastic



- MC-10E silver CODE:126301
- MC-10E white CODE:126302
- MC-10E black CODE:126300

J1-03

Function: joint pin
 Material: steel



- J1-03 CODE:120205

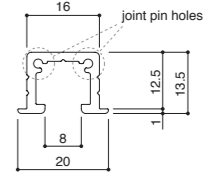
picture rail / ceiling-, wall-, floor-mounted



MC-11

30kg/m

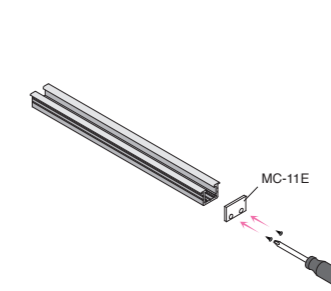
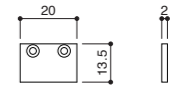
Type: ceiling-, wall-, floor-mounted
 Function: rail system
 Material: aluminum
 Finish: anodized aluminum (silver or white)
 —
 Description
 anchor placement: within 300mm
 MC-11 is suitable for flush-mounted applications.
 length : 2,000mm



- MC-11 2000 silver CODE:126111
- MC-11 2000 white CODE:126112

MC-11E

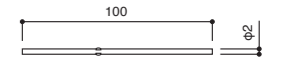
Function: end cap
 Material: aluminum
 Finish: anodized aluminum



- MC-11E silver CODE:126311
- MC-11E white CODE:126312

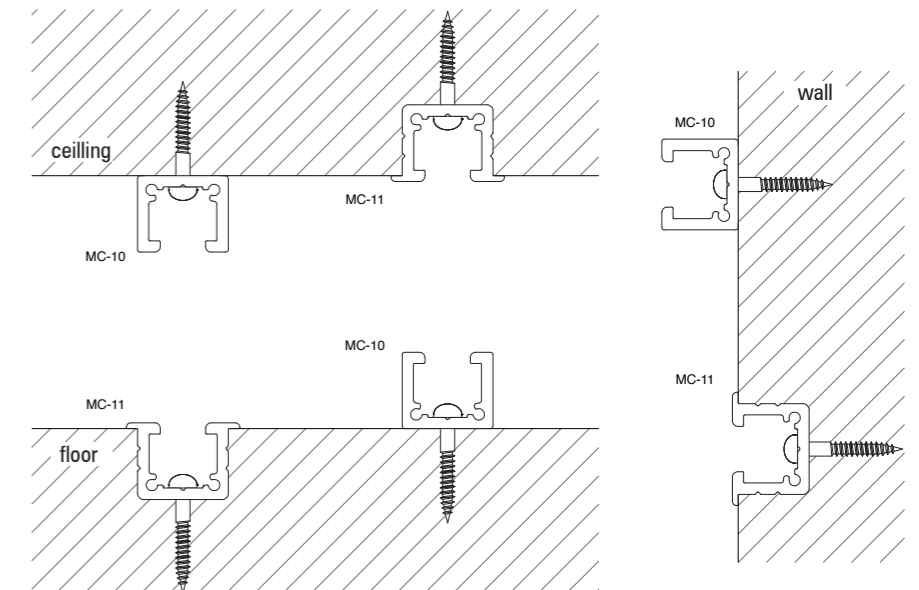
J1-03

Function: joint pin
 Material: steel



- J1-03 CODE:120205

Installation guide



picture rail / MC/MH rail fitting -ceiling-

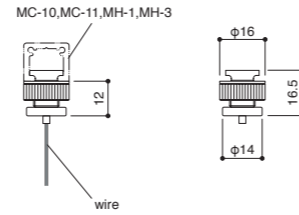
picture rail / MC applications



AM-32R-R

φ0.6 : 3kg φ0.8 : 5kg

Type: MC/MH rail fitting
Function: ceiling
Material: brass
Finish: matte nickel finish



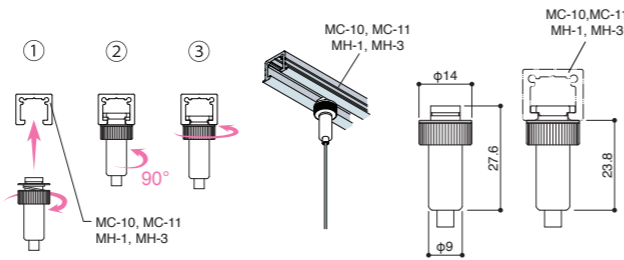
AM-32R-R CODE:270101



BS-32R-R

φ1.0 : 8kg φ1.2 : 10kg φ1.5 : 30kg

Type: MC/MH rail fitting
Function: ceiling
Material: brass
Finish: matte nickel finish (silver)
white painted (white)



BS-32R-R silver CODE:273201

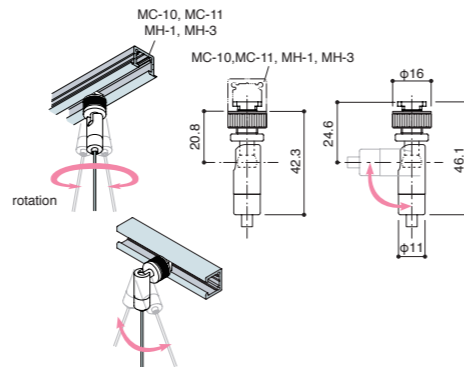
BS-32R-R white CODE:273202



BS-32U-R

φ1.0 : 8kg φ1.2 : 10kg φ1.5 : 30kg

Type: MC/MH rail fitting
Function: ceiling
Material: brass
Finish: matte nickel finish



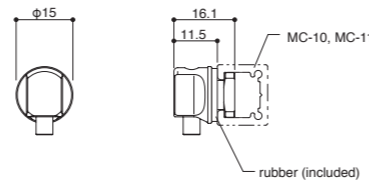
BS-32U-R CODE:270202



BS-36D-R

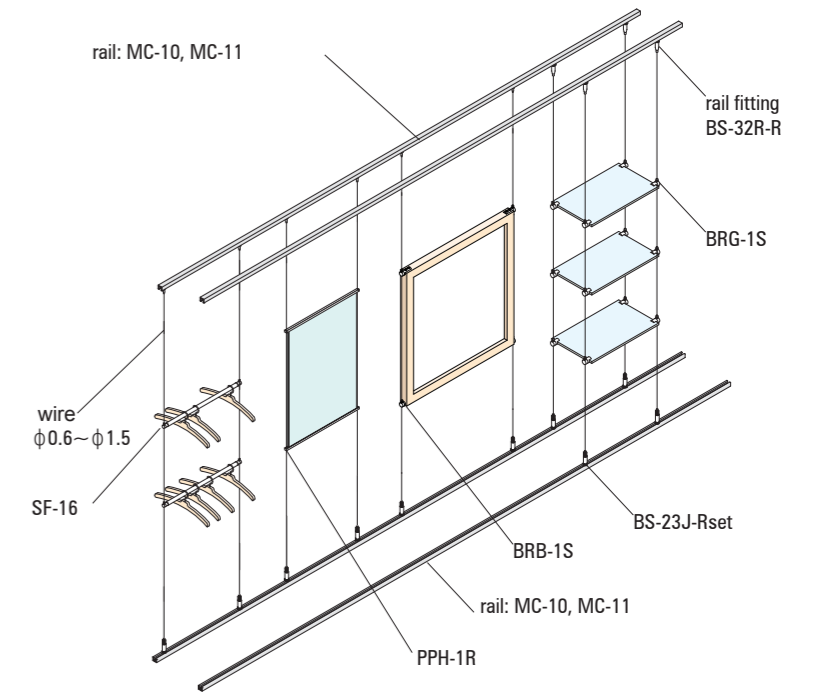
φ1.0 : 8kg φ1.2 : 10kg φ1.5 : 30kg

Type: MC rail fitting
Function: ceiling
Material: brass
Finish: matte nickel finish

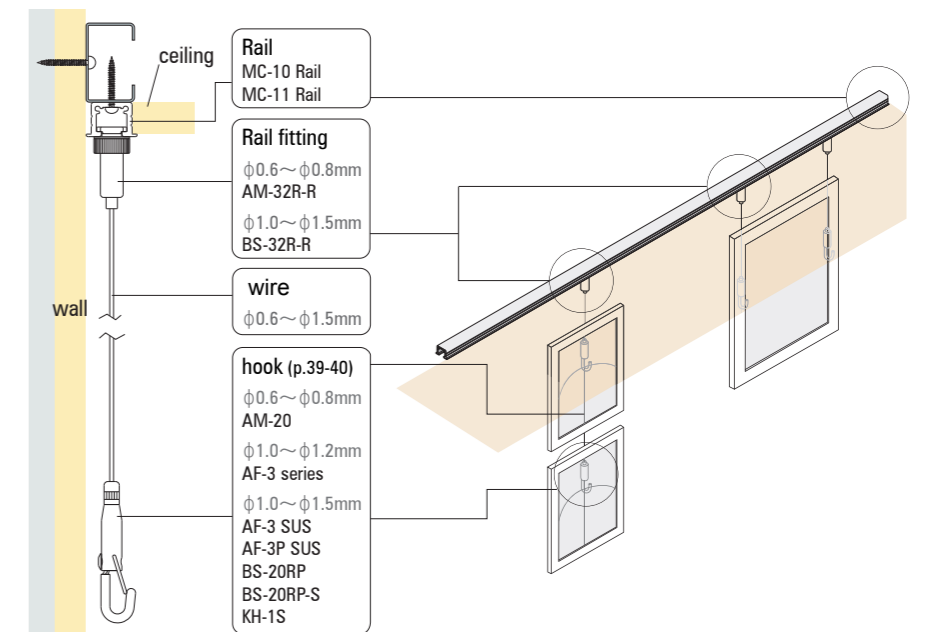


BS-36D-R CODE:270206

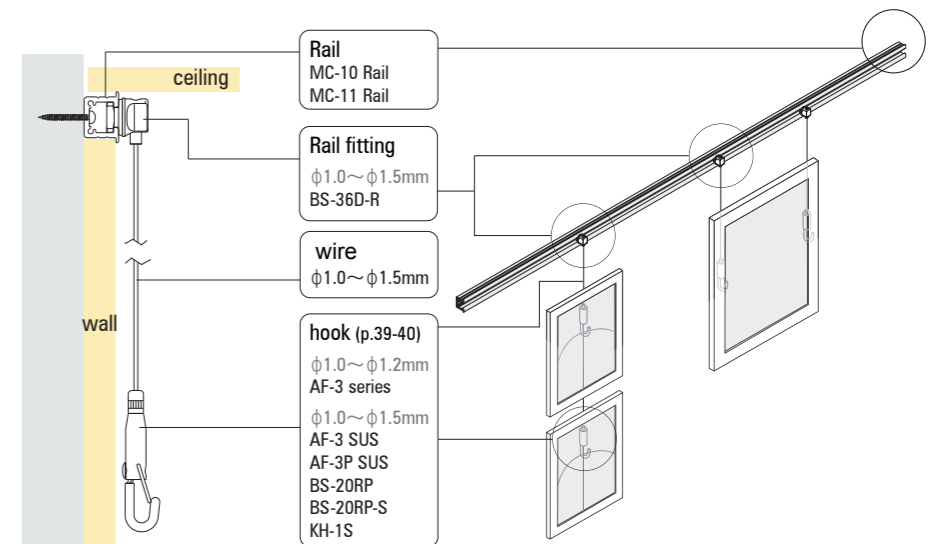
Display system applications



Picture hanging - ceiling mount



Picture hanging - wall mount



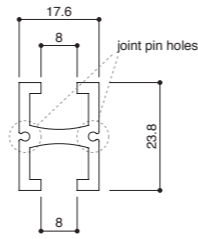
picture rail / ceiling-mounted



MH-1

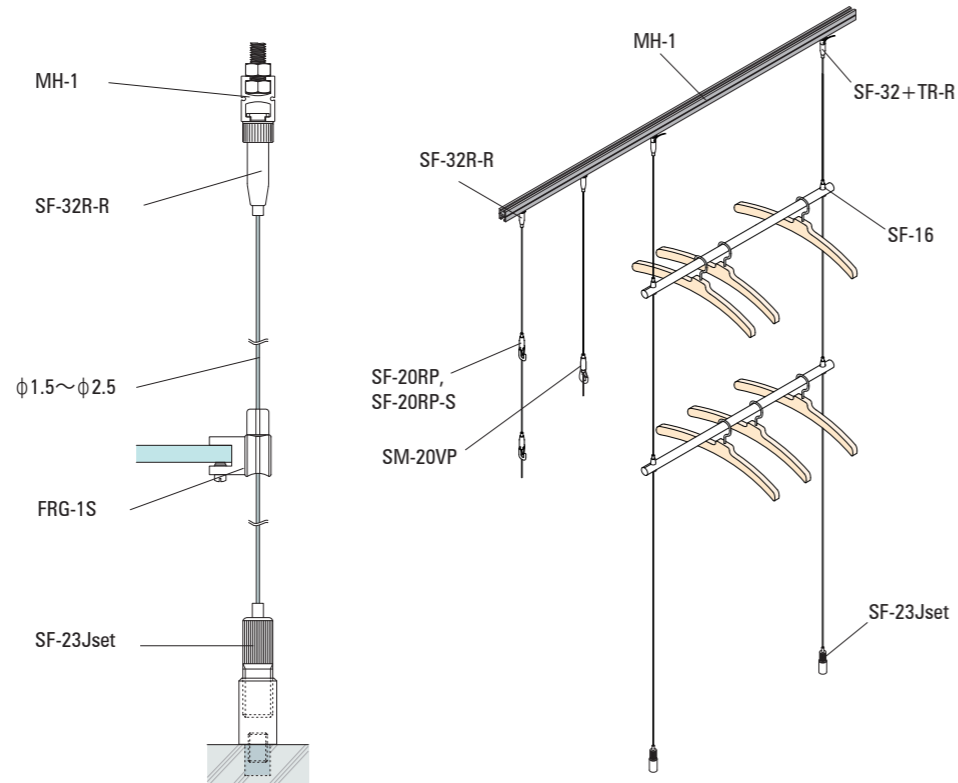
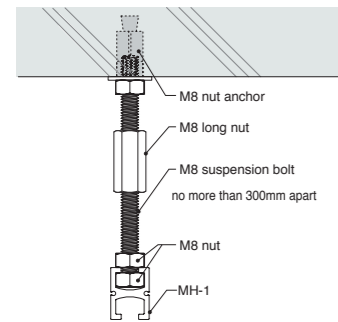
70kg/m

Type: ceiling-mounted
 Function: rail system
 Material: aluminum
 Finish: anodized aluminum
 Description
 length: 2,000mm
 anchor placement: within 300mm



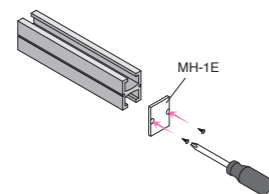
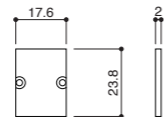
MH-1 2000 silver CODE:125101

Concrete Slab Ceiling



MH-1E

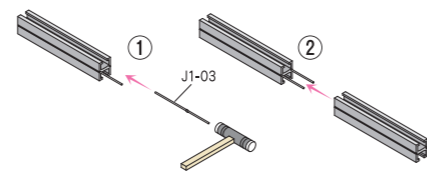
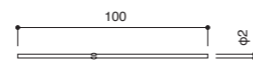
Function: end cap
 Material: aluminum
 Finish: anodized aluminum



MC-11E silver CODE:125301

J1-03

Function: joint pin
 Material: steel



J1-03 CODE:120205

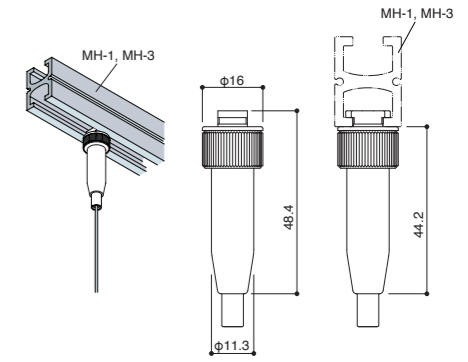
picture rail / MH rail fitting- ceiling-



SF-32R-R

φ1.5 : 30kg φ2.0 : 50kg φ2.5 : 70kg

Type: MH rail fitting
 Function: ceiling
 Material: stainless, brass
 Finish: satin, matte nickel finish



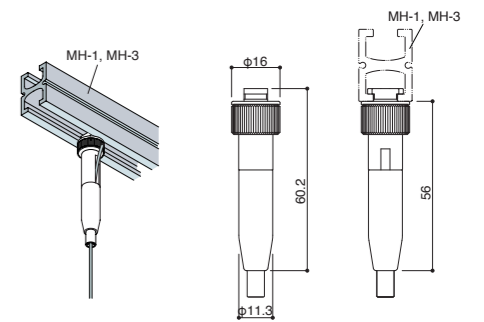
SF-32R-R CODE:270301



SF-32+TR-R

φ1.5 : 30kg φ2.0 : 50kg φ2.5 : 70kg

Type: MH rail fitting
 Function: ceiling
 Material: stainless, brass
 Finish: satin, matte nickel finish



SF-32+TR-R CODE:270302



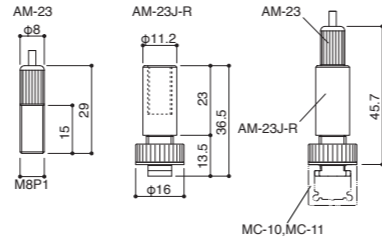
picture rail / MC rail fitting -floor tensioner-



AM-23 + AM-23J-R

φ0.6, φ0.8

Type: MC rail fitting
Function: floor
Material: brass
Finish: matte nickel finish



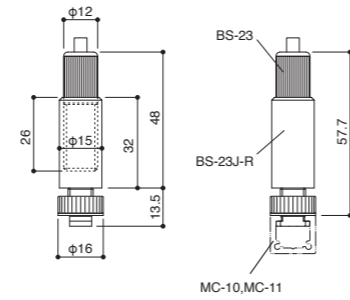
AM-23 CODE:262301
AM-23J-R CODE:270103



BS-23J-Rset

φ1.0, φ1.2, φ1.5

Type: MC rail fitting
Function: floor
Material: brass
Finish: matte nickel finish



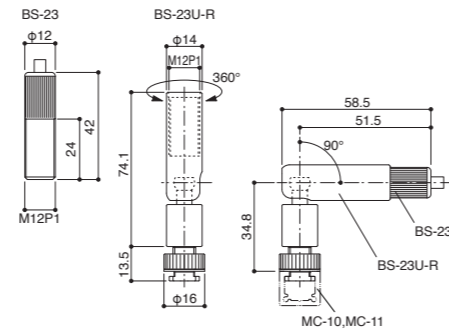
BS-23J-Rset CODE:272323



BS-23 + BS-23U-R

φ1.0, φ1.2, φ1.5

Type: MC rail fitting
Function: floor
Material: brass
Finish: matte nickel finish



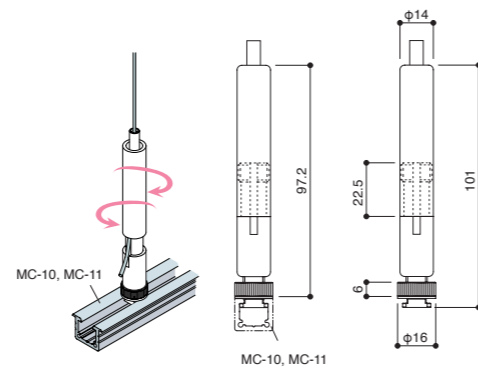
BS-23 CODE:72301
BS-23U-R CODE:270204



TF-18+TR-R

φ1.5, φ2.0, φ2.5

Type: MC rail fitting
Function: floor
Material: stainless, brass
Finish: matte nickel finish



TF-18+TR-R CODE:270304

for
Picture hanging

10 kg
CRE



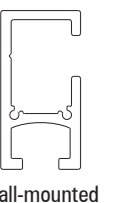
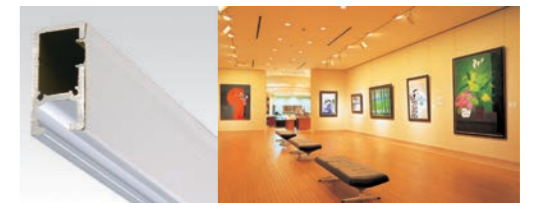
wall-mounted

30 kg
CRJ



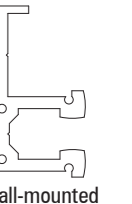
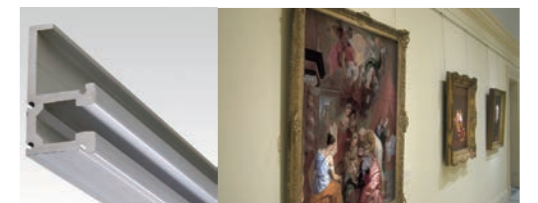
wall-mounted

70 kg
MH-3



wall-mounted

150 kg
VH-4



wall-mounted

picture rail / wall-mounted, rail fitting



CRE

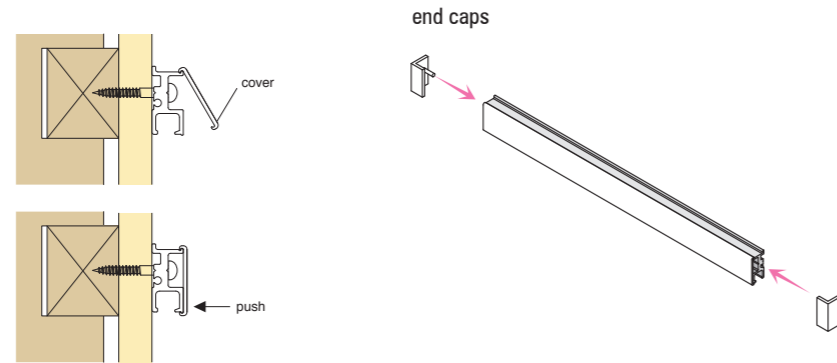
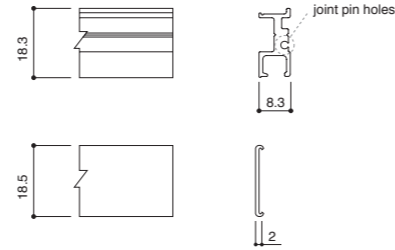
10kg/m

Type: wall-mounted
 Function: rail system
 Material: aluminum (cover: plastic)
 Finish: anodized aluminum (cover: white, off white)

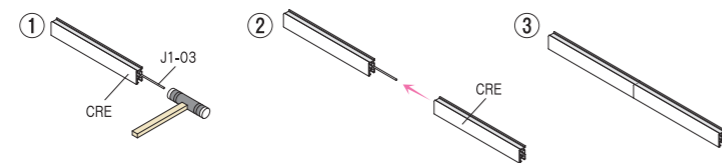
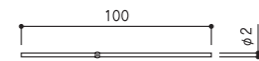
Description
 CRE includes one joint pin (J1-03) and end caps.
 length: 1,820mm

CRE 1800 off white CODE:120104

CRE 1800 white CODE:120113



Joint Pin (J1-03)



picture rail / wall-mounted, rail fitting



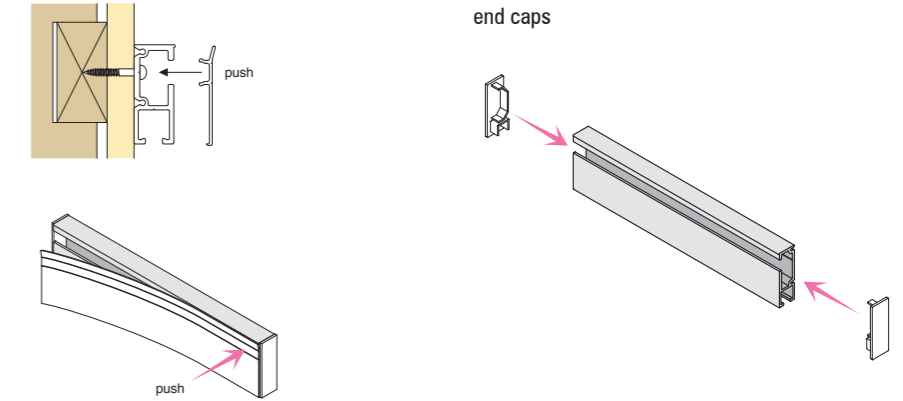
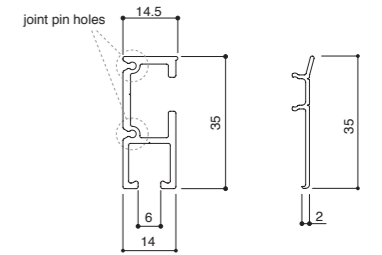
CRJ

30kg/m

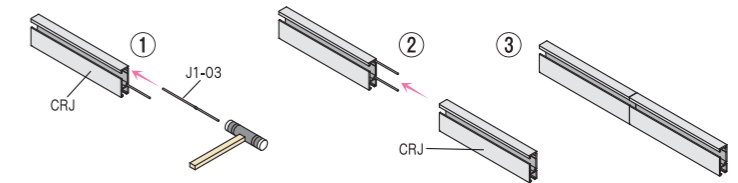
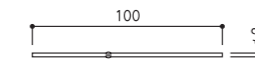
Type: wall-mounted
 Function: rail system
 Material: aluminum (cover: plastic)
 Finish: anodized aluminum (cover: white)

Description
 CRJ includes two joint pins and end caps.
 anchor placement: within 300mm
 length: 2,000mm

CRJ 2000 white CODE:121101



Joint Pin (J1-03)



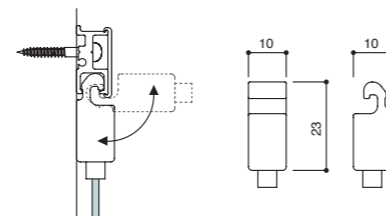
CF-1

φ1.0: 8kg φ1.2: 10kg

Type: CRE rail fitting Function:
 ceiling Material: zinc die-casting
 Finish: white, off white painted

CF-1 off white CODE:120201

CF-1 white CODE:120211

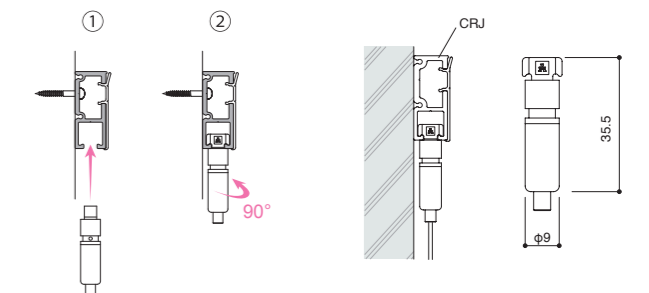


CR-1

φ1.0: 8kg φ1.2: 10kg φ1.5: 30kg

Type: CRJ rail fitting
 Function: ceiling
 Material: brass
 Finish: nickel plating

CR-1 CODE:121201





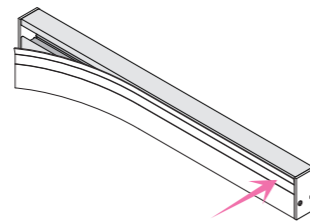
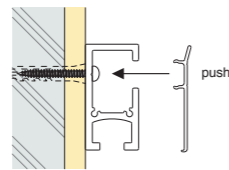
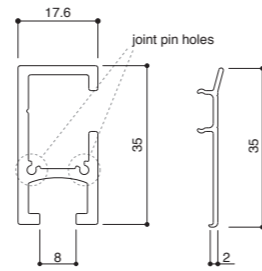
MH-3

70kg/m

Type: wall-mounted
 Function: rail system
 Material: aluminum
 Finish: anodized aluminum (cover: white)

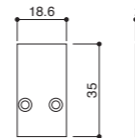
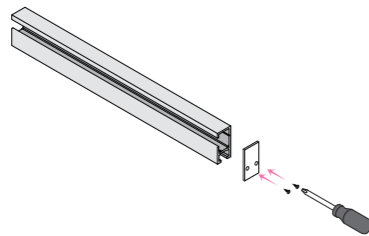
Description
 anchor placement: within 300mm
 length: 2,000mm

MH-3 2000 white CODE:125212



MH-3E white

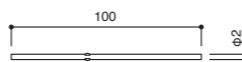
Function: end cap
 Material: aluminum



MH-3E white CODE:125303

J1-03

Function: joint pin
 Material: steel



J1-03 CODE:120205

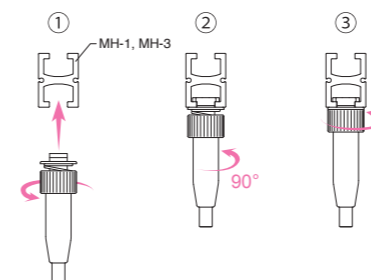
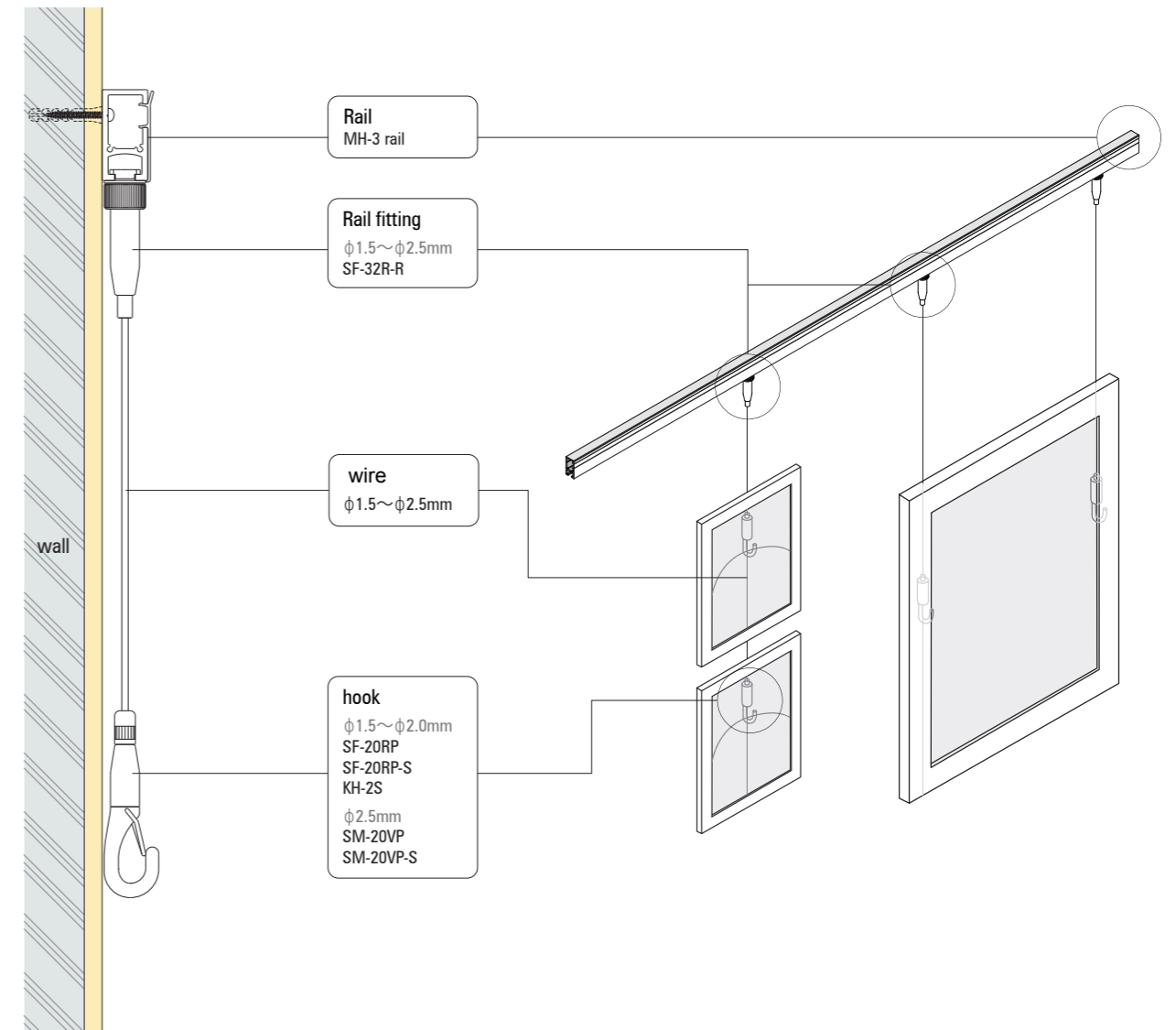
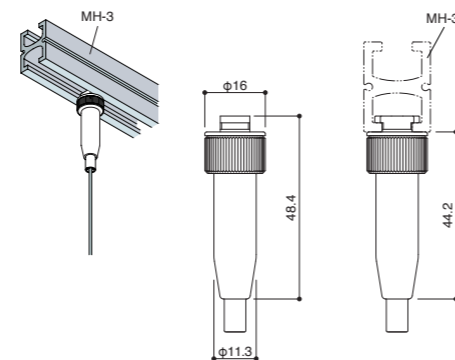


SF-32R-R

φ1.5: 30kg φ2.0: 50kg φ2.5: 70kg

Type: MH rail fitting
 Function: ceiling
 Material: stainless, brass
 Finish: satin, matte nickel finish

SF-32R-R CODE:270301



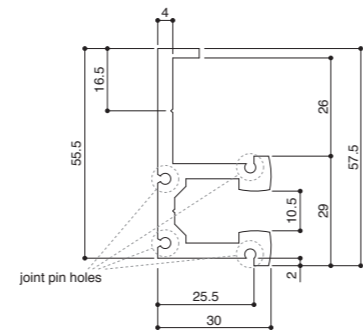


VH-4

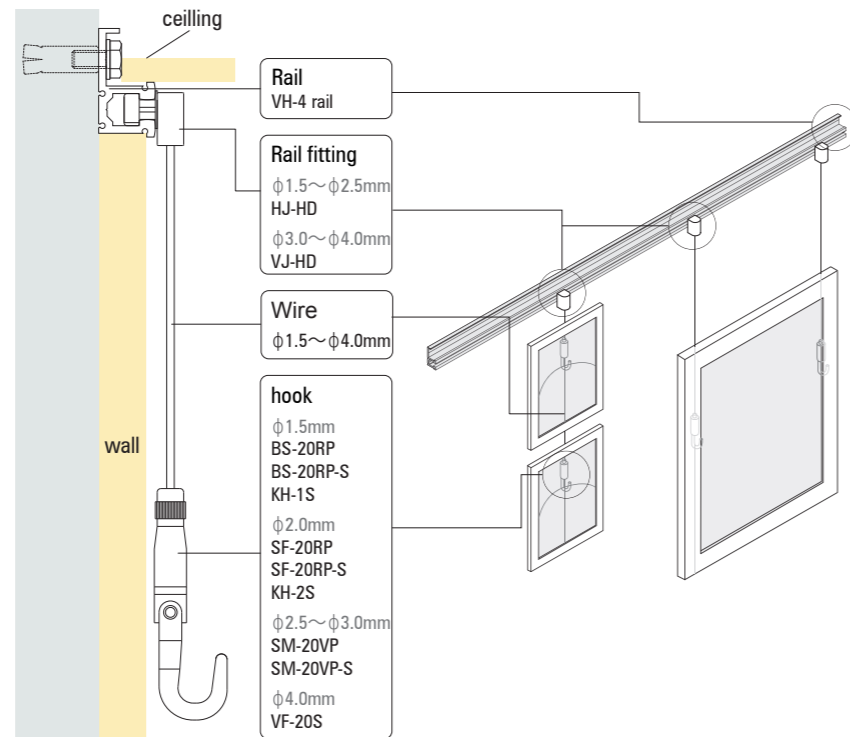
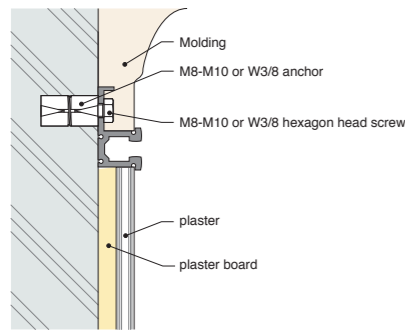
150kg/m

Type: wall-mounted
 Function: rail system
 Material: aluminum
 Finish: anodized aluminum
 Description
 length: 2,000mm
 anchor placement: within 300mm

VH-4 2000 silver CODE:127121



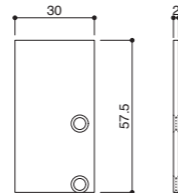
Concrete Slab Wall



VH-4E

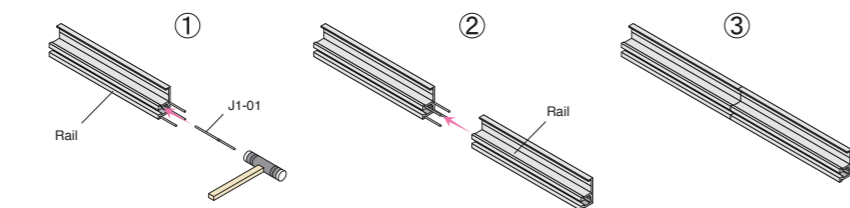
Function: end cap
 Material: aluminum

VH-4E CODE:127321



J1-01

Function: joint pin
 Material: steel



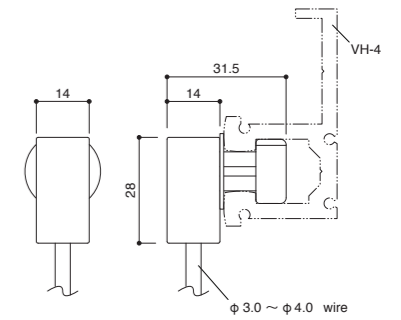
J1-01 CODE:20080



VJ-HD wire set

φ3.0: 100kg φ4.0: 150kg

Type: VH-4 rail fitting
 Function: ceiling
 Material: stainless, silicone rubber
 Finish: matte finish
 Description
 VJ-HD includes ball-stopped wire



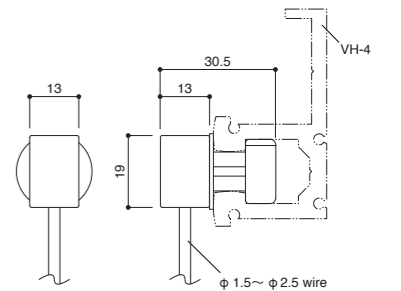
	L = 1000	L = 2000	L = 3000
φ 3.0	VJ-HD 3010 CODE:60143010	VJ-HD 3020 CODE:60143020	VJ-HD 3030 CODE:60143030
φ 4.0	VJ-HD 4010 CODE:60144010	VJ-HD 4020 CODE:60144020	VJ-HD 4030 CODE:60144030



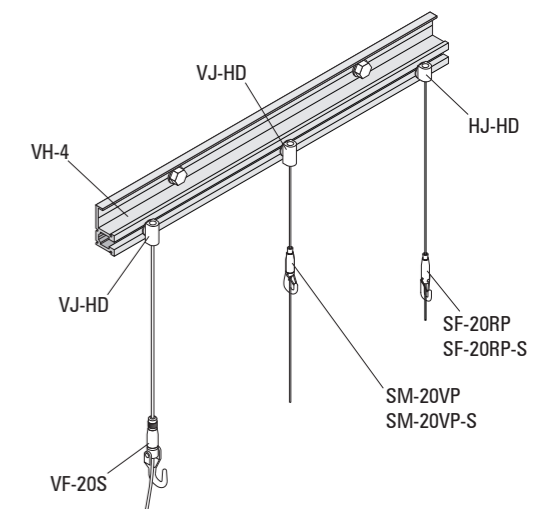
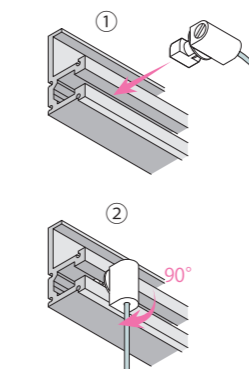
HJ-HD wire set

φ1.5: 30kg φ2.0: 50kg φ2.5: 70kg

Type: VH-4 rail fitting
 Function: ceiling
 Material: stainless, silicone rubber
 Finish: matte finish
 Description
 wire length(1m, 2m, 3m and 5m) and wire size (φ1.5mm, φ2.0mm, φ2.5mm) must be selected when you purchase.
 HJ-HD includes ball-stopped wire



HJ-HD wire set CODE:60140306





ceiling - point



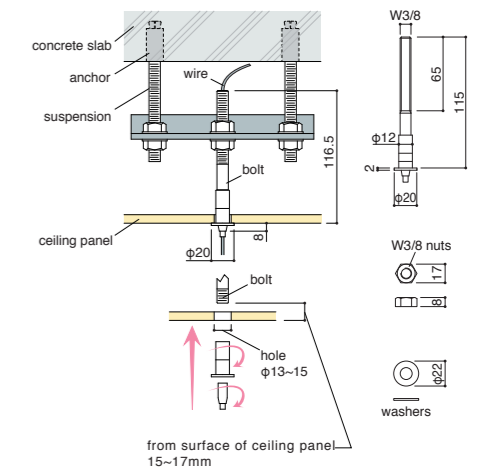
BS-27

Type: recessed
 Function: ceiling
 Material: stainless, brass, steel
 Finish: matte nickel, unichrome plating

Description
 2 washers and 2 nuts are included

BS-27 CODE:72701

φ1.0: 8kg φ1.2: 10kg φ1.5: 30kg



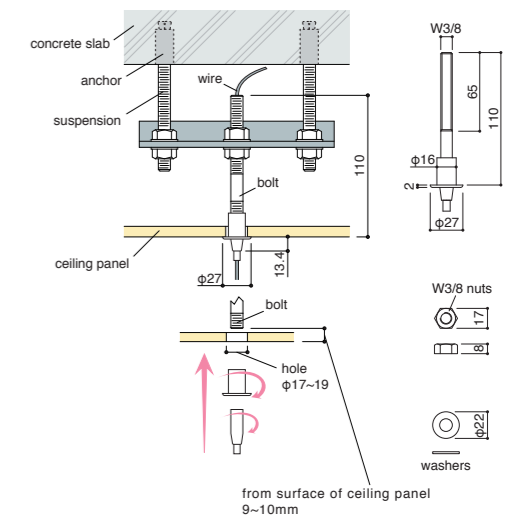
SF-27

Type: recessed
 Function: ceiling
 Material: stainless, zinc die-casting, steel
 Finish: satin, matte nickel, unichrome plating

Description
 2 washers and 2 nuts are included

SF-27 CODE:22701

φ1.5: 30kg φ2.0: 50kg φ2.5: 70kg



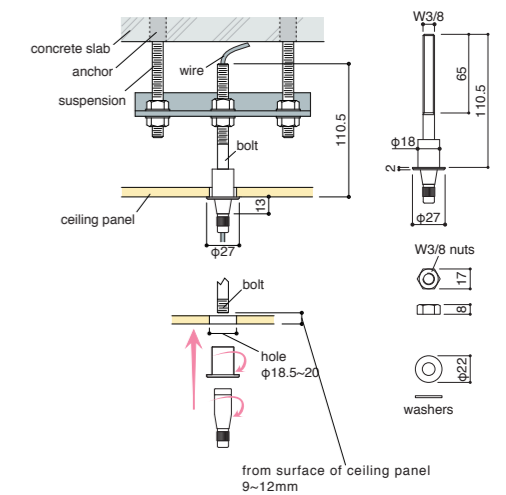
MF-27S

Type: recessed
 Function: ceiling
 Material: stainless, brass, steel
 Finish: matte nickel, unichrome plating

Description
 2 washers and 2 nuts are included

MF-27S CODE:182701

φ3.0: 100kg



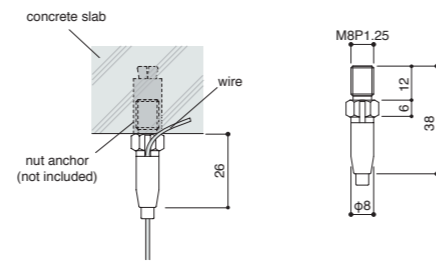
ceiling / nut anchor



BS-38+T

φ1.0 : 8kg φ1.2 : 10kg φ1.5 : 30kg

Type: M8 nut anchor
Function: ceiling
Material: stainless, brass
Finish: satin, nickel finish



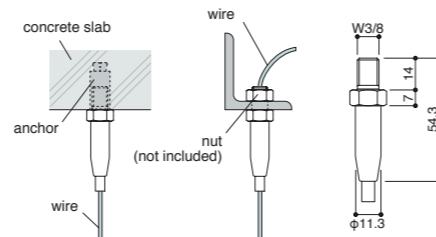
BS-38+T CODE:73804



SF-38

φ1.5 : 30kg φ2.0 : 50kg φ2.5 : 70kg

Type: M8 nut anchor
Function: ceiling
Material: stainless, steel
Finish: satin, nickel finish



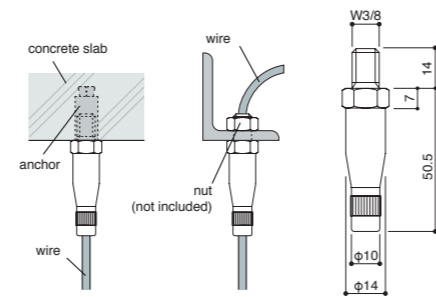
SF-38 CODE:23801



MF-38S

φ3.0 : 100kg

Type: M8 nut anchor
Function: ceiling
Material: stainless
Finish: satin



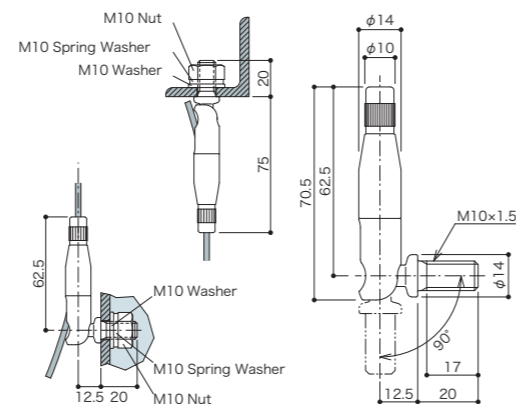
MF-38S CODE:183801



MF-33M+T-S

φ3.0 : 100kg

Type: M10 nut anchor
Function: ceiling
Material: stainless
Finish: satin



MF-33M+T-S CODE : 183305

ceiling / bolt anchor, universal

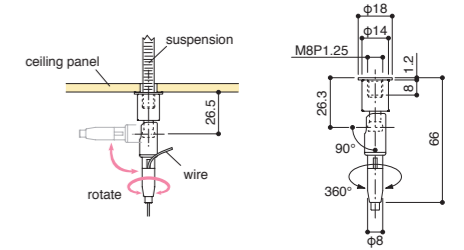


BS-32+T

φ1.0 : 8kg φ1.2 : 10kg φ1.5 : 30kg

Type: bolt anchor / universal
Function: ceiling
Material: stainless, steel
Finish: satin, nickel matte finish

Description
1 washer is included



BS-32+T CODE:73204

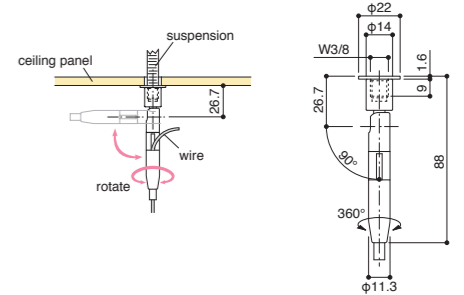


SF-32+T

φ1.5 : 30kg φ2.0 : 50kg φ2.5 : 70kg

Type: bolt anchor / universal
Function: ceiling
Material: stainless, steel, brass
Finish: satin, nickel matte finish

Description
1 washer is included



SF-32+T CODE:33206

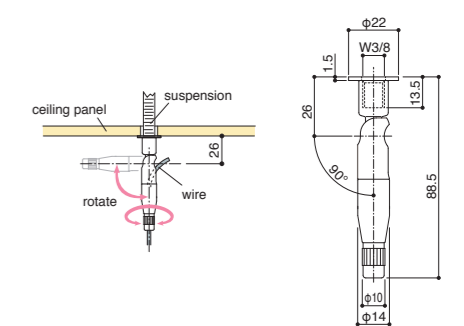


MF-32+T-S

φ3.0 : 100kg

Type: bolt anchor / universal
Function: ceiling
Material: stainless

Description
1 washer is included



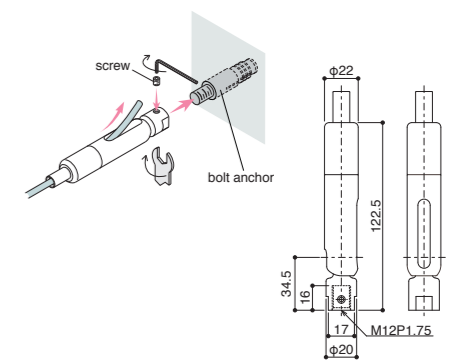
MF-32+T-S CODE:183202



WF-32+T φ3.0 : 100kg φ4.0 : 150kg φ5.0 : 200kg φ6.0 : 300kg

Type: bolt anchor / universal
Function: ceiling
Material: stainless

WF-32+T CODE:563201



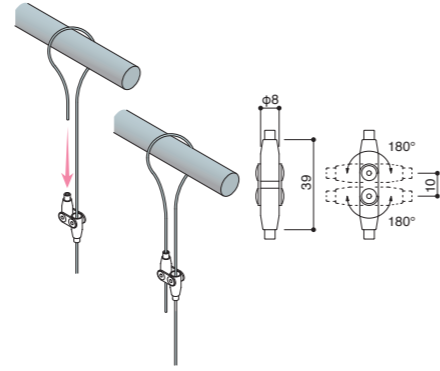


BS-25

Type: loop system
 Function: ceiling
 Material: stainless
 Finish: satin

BS-25 CODE:72505

φ1.0: 8kg φ1.2: 10kg φ1.5: 30kg



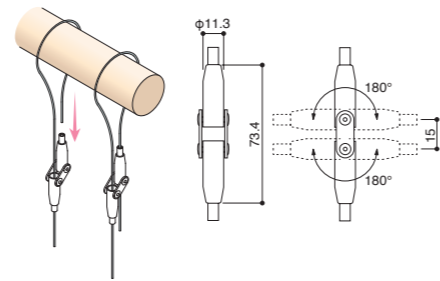
SF-25

Type: loop system
 Function: ceiling
 Material: stainless
 Finish: satin

SF-25 CODE:22501

SF-25S CODE:22502

φ1.5: 30kg φ2.0: 50kg φ2.5: 70kg

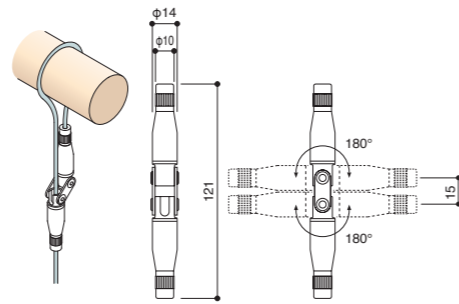


MF-25S

Type: loop system
 Function: ceiling
 Material: stainless

MF-25S CODE:182501

φ3.0: 100kg



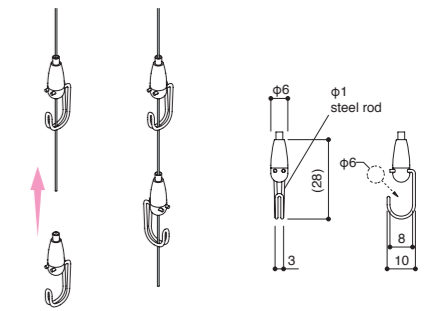
midway



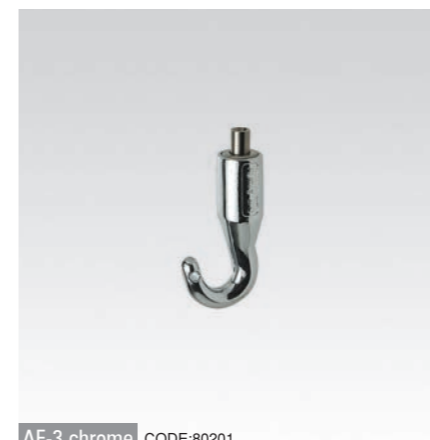
AM-20

φ0.6 : 3kg φ0.8 : 5kg

Type: **hook**
 Function: **midway**
 Material: **brass, steel**
 Finish: **chrome plating**



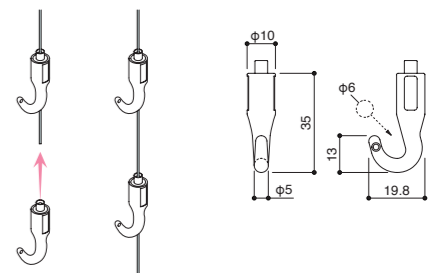
AM-20 CODE:262001



AF-3 series

φ1.0 : 8kg φ1.2 : 10kg

Type: **hook**
 Function: **midway**
 Material: **zinc die-casting**
 Finish: **chrome plating (AF-3 chrome), white painted (AF-3 white), black painted (AF-3 black),**



AF-3 chrome CODE:80201

AF-3 white
CODE:80202

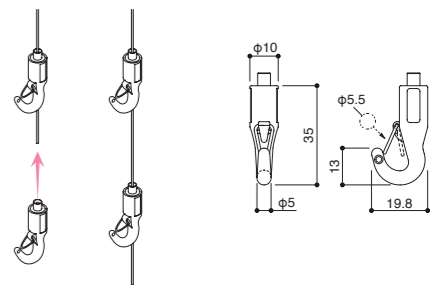
AF-3 black
CODE:80203



AF-3P series

φ1.0 : 8kg φ1.2 : 10kg

Type: **hook**
 Function: **midway**
 Material: **zinc die-casting**
 Finish: **chrome plating (AF-3P chrome), white painted (AF-3P white), black painted (AF-3P black),**



AF-3P chrome CODE:80601

AF-3P white
CODE:80602

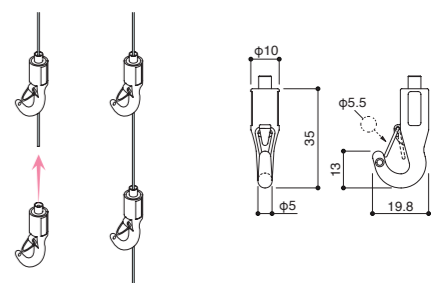
AF-3P black
CODE:80603



AF-3P SUS

φ1.0 : 8kg φ1.2 : 10kg φ1.5 : 30kg

Type: **hook**
 Function: **midway**
 Material: **stainless**
 Finish: **matte finish**



AF-3P SUS CODE:80604

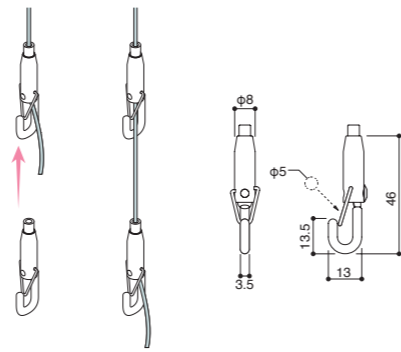


BS-20RP

φ1.0 : 8kg φ1.2 : 10kg φ1.5 : 30kg

Type: **hook**
 Function: **midway**
 Material: **stainless**
 Finish: **satin**

BS-20RP CODE:72012
BS-20RP-S CODE:72003

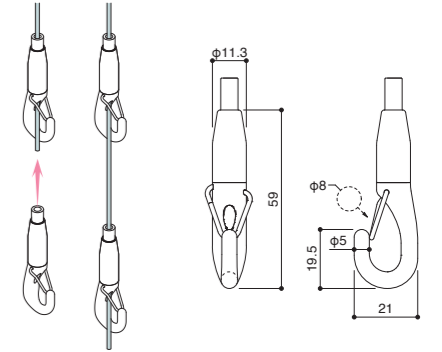


SM-20VP

φ2.5 : 70kg φ3.0 : 100kg

Type: **hook**
 Function: **midway**
 Material: **stainless**
 Finish: **satin**

SM-20VP CODE:172009
SM-20VP-S CODE:172006

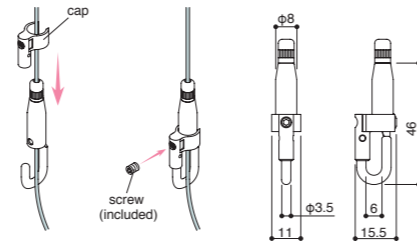


KH-1S

φ1.0 : 8kg φ1.2 : 10kg φ1.5 : 30kg

Type: **hook**
 Function: **midway**
 Material: **stainless, zinc die-casting**
 Finish: **satin, nickel matte finish**

KH-1S CODE:180402



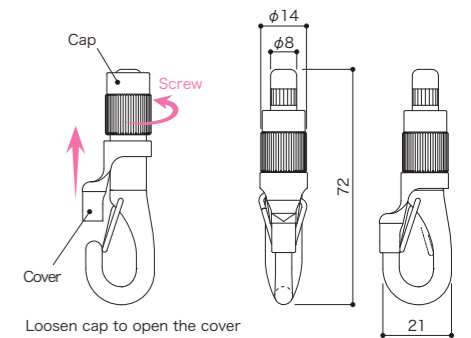
SM-20VKP-S

φ2.5 : 70kg φ3.0 : 100kg

Type: **locking hook**
 Function: **midway**
 Material: **brass**
 Finish: **satin, nickel**

• **Please use with the following wire guidelines.**
 φ 2.5 : 70kg
 φ 3.0 : 100kg

SM-20VKP-S CODE : 172002

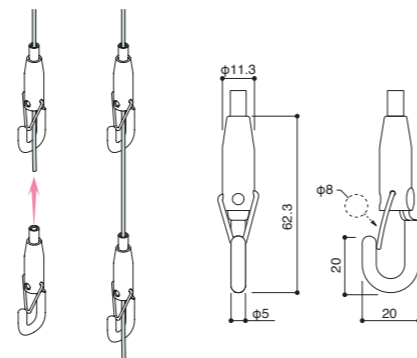


SF-20RP

φ1.5 : 30kg φ2.0 : 50kg

Type: **hook**
 Function: **midway**
 Material: **stainless**
 Finish: **satin**

SF-20RP CODE:22009
SF-20RP-S CODE:22006

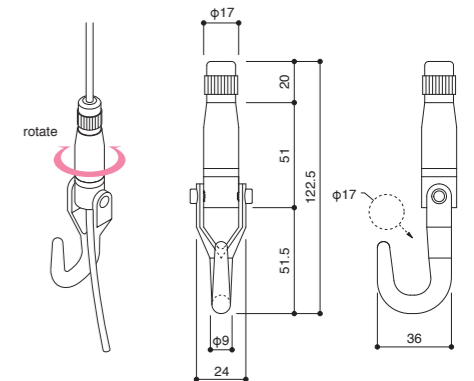


VF-20S

φ4.0 : 150kg

Type: **hook**
 Function: **midway**
 Material: **stainless**
 Finish: **matte finish**

VF-20S CODE:190010

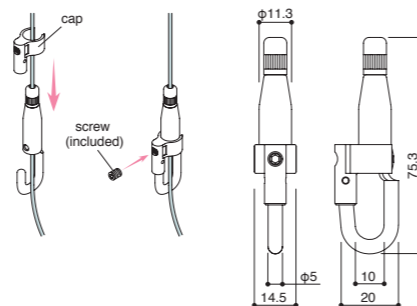


KH-2S

φ1.5 : 30kg φ2.0 : 50kg

Type: **hook**
 Function: **midway**
 Material: **stainless, zinc die-casting**
 Finish: **satin, nickel matte finish**

KH-2S CODE:180404

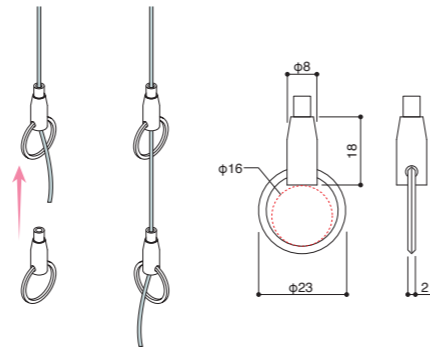




BS-21

φ1.0 - φ1.5 : 5kg

Type: ring
 Function: midway
 Material: stainless (ring: steel)
 Finish: satin (ring: chrome plating)



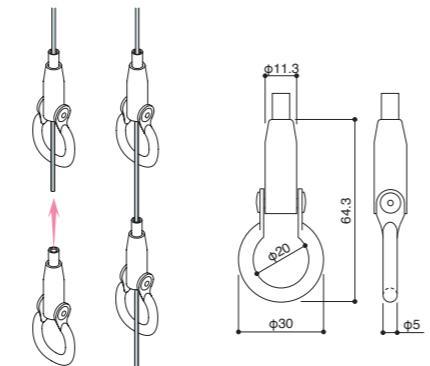
BS-21 CODE:72101



SF-21

φ1.5 : 30kg φ2.0 : 50kg φ2.5 : 70kg

Type: ring
 Function: midway
 Material: stainless
 Finish: satin



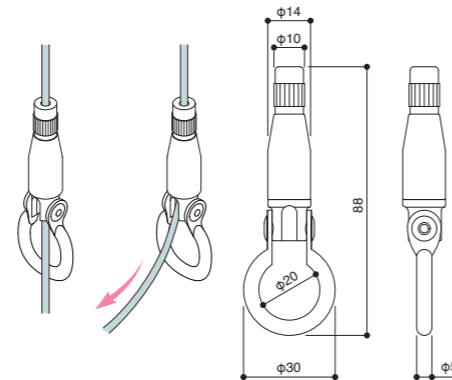
SF-21 CODE:22101



MF-21S

φ3.0 : 100kg

Type: ring
 Function: midway
 Material: stainless
 Finish: satin



MF-21S CODE:182101

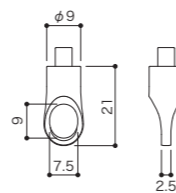


BS-22

φ1.0 : 8kg φ1.2 : 10kg φ1.5 : 30kg

Type: ring
 Function: midway
 Material: brass
 Finish: chrome

- Clothes and Hangers can be displayed on wires with this piece of hardware
- The wire threads through the top so that the position can be easily adjusted.



BS-22 CODE:77201

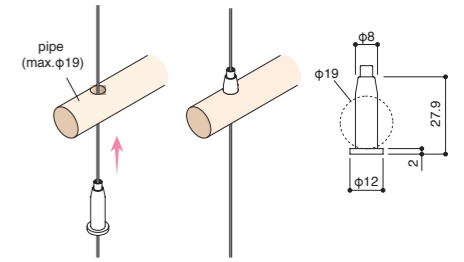


BS-16

φ1.0 : 8kg φ1.2 : 10kg φ1.5 : 30kg

Type: pipe
 Function: midway
 Material: stainless, brass
 Finish: satin, nickel plating

Description
 Drill a 9mm hole in hang pipe or shelving, insert BS-16 from underneath.



BS-16 CODE:71601

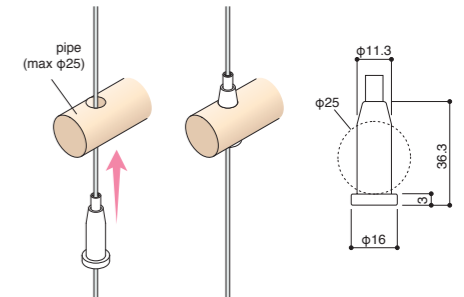


SF-16

φ1.5 : 30kg φ2.0 : 50kg φ2.5 : 70kg

Type: pipe
 Function: midway
 Material: stainless
 Finish: satin

Description
 Drill a 12mm hole in hang pipe or shelving, insert SF-16 from underneath.



SF-16 CODE:21601

SF-16S CODE:21602

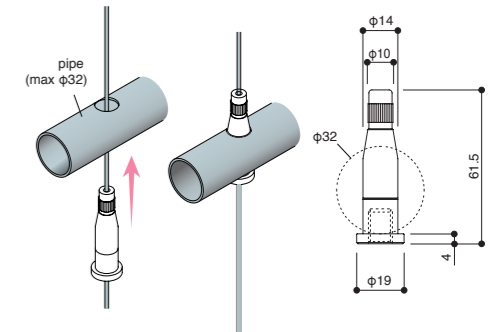


MF-16S

φ3.0 : 100kg

Type: pipe
 Function: midway
 Material: stainless

Description
 Drill a 15mm hole in hang pipe or shelving, insert MF-16S from underneath.



MF-16S CODE:181601

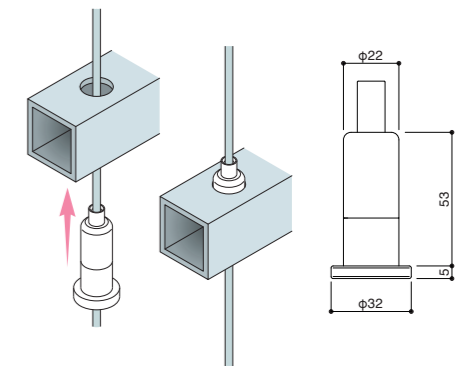


WF-16

φ3.0 : 100kg φ4.0 : 150kg φ5.0 : 200kg φ6.0 : 300kg

Type: pipe
 Function: midway
 Material: stainless

WF-16 CODE:561601

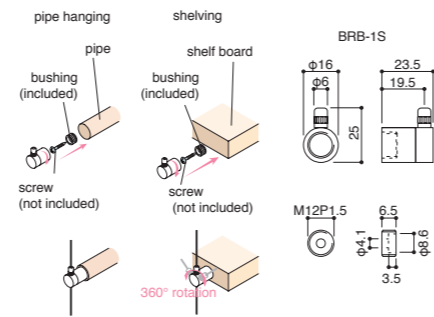




BRB-1S

φ1.0 : 8kg φ1.2 : 10kg φ1.5 : 30kg

Type: shelving
Function: midway
Material: brass
Finish: nickel matte finish



BRB-1S CODE:50401

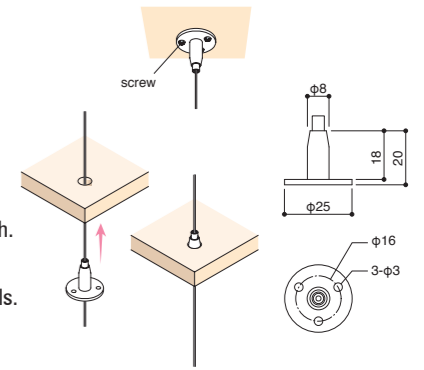


BS-35

φ1.0 : 8kg φ1.2 : 10kg φ1.5 : 30kg

Type: shelving
Function: midway
Material: stainless
Finish: satin

Description
Drill a 9mm hole in shelving, insert BS-35 from underneath.
Maximum shelf thickness is 15mm.
Make sure the strength of the screws and ceiling materials.



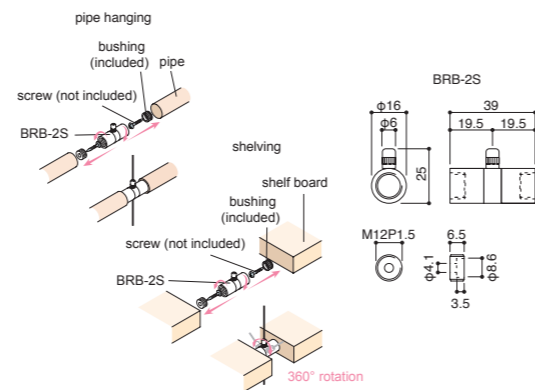
BS-35 CODE:73501 BS-35S CODE:73502



BRB-2S

φ1.0 : 8kg φ1.2 : 10kg φ1.5 : 30kg

Type: shelving
Function: midway
Material: brass
Finish: nickel matte finish



BRB-2S CODE:50402

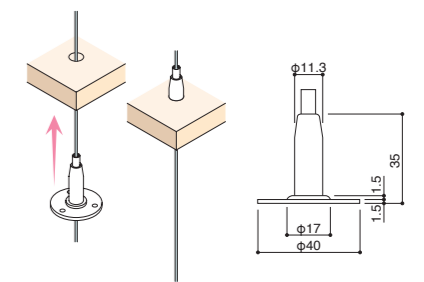


SF-35

φ1.5 : 30kg φ2.0 : 50kg φ2.5 : 70kg

Type: shelving
Function: midway
Material: stainless
Finish: satin

Description
Drill a 12mm hole in shelving, insert SF-35 from underneath.



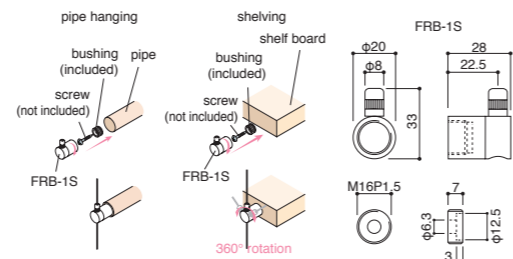
SF-35 CODE:23501 SF-35S CODE:23502



FRB-1S

φ1.5 : 30kg φ2.0 : 50kg φ2.5 : 70kg

Type: shelving
Function: midway
Material: stainless



FRB-1S CODE:50211

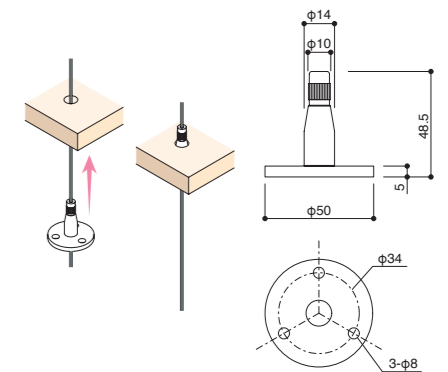


MF-35S

φ3.0 : 100kg

Type: shelving
Function: midway
Material: stainless

Description
Drill a 15mm hole in shelving, insert MF-35S from underneath.



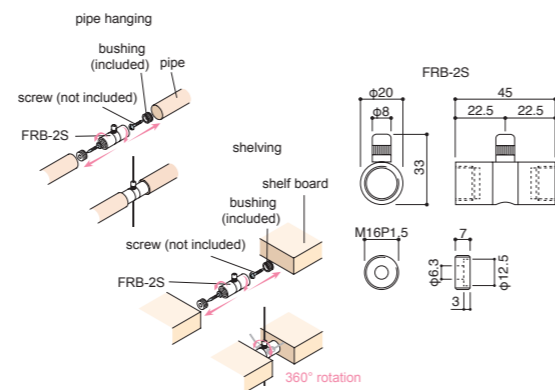
MF-35S CODE:183501



FRB-2S

φ1.5 : 30kg φ2.0 : 50kg φ2.5 : 70kg

Type: shelving
Function: midway
Material: stainless



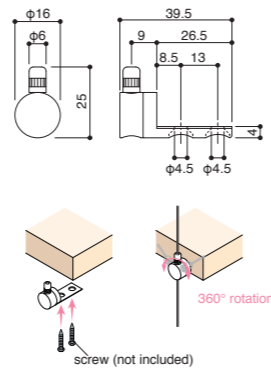
FRB-2S CODE:50212



BRL-1S

φ1.0 : 8kg φ1.2 : 10kg φ1.5 : 30kg

Type: shelving
Function: midway
Material: brass
Finish: nickel matte finish



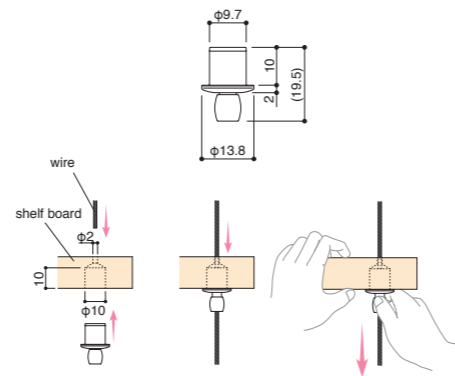
BRL-1S CODE:50501



BU-70

φ1.0 : 8kg φ1.2 : 10kg φ1.5 : 30kg

Type: shelving
Function: midway
Material: steel, brass
Finish: chrome plating



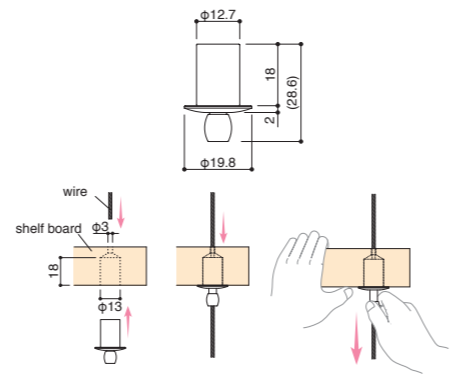
BU-70 CODE:330101



SU-70

φ1.5 : 30kg φ2.0 : 50kg φ2.5 : 70kg

Type: shelving
Function: midway
Material: steel, brass
Finish: chrome plating



SU-70 CODE:330201

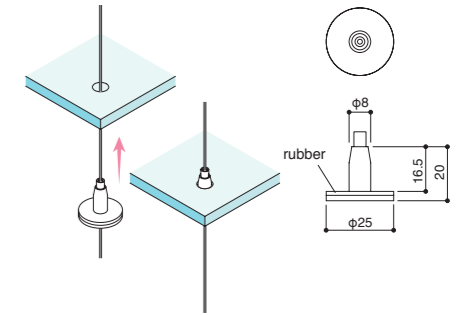


BS-35+R

φ1.0 : 8kg φ1.2 : 10kg φ1.5 : 30kg

Type: glass/ acrylic shelving
Function: midway
Material: stainless, silicone rubber
Finish: satin

Description
Drill a 9mm hole in shelving, insert BS-35+R from underneath.



BS-35+R CODE:73503

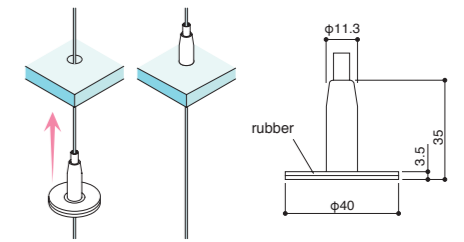


SF-35+R

φ1.5 : 30kg φ2.0 : 50kg φ2.5 : 70kg

Type: glass/ acrylic shelving
Function: midway
Material: stainless, silicone rubber
Finish: satin

Description
Drill a 12mm hole in shelving, insert SF-35+R from underneath.



SF-35+R CODE:23503

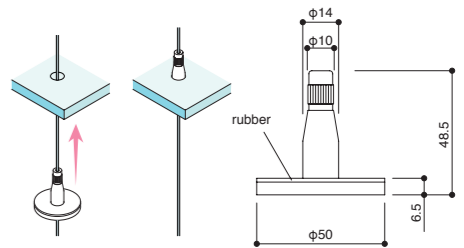


MF-35+R-S

φ3.0 : 100kg

Type: glass/ acrylic shelving
Function: midway
Material: stainless, silicone rubber

Description
Drill a 15mm hole in shelving, insert MF-35+R-S from underneath.



MF-35+R-S CODE:183505



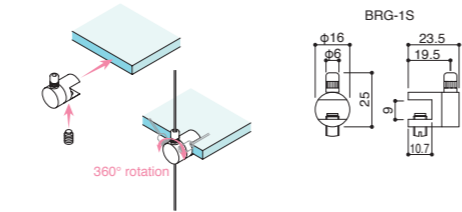


BRG-1S

φ1.0 : 8kg φ1.2 : 10kg φ1.5 : 30kg

Type: glass shelving
 Function: midway
 Material: brass
 Finish: nickel matte finish
 —
 Description
 shelf/panel/sign thickness must be 5-8mm.

BRG-1S CODE:50301

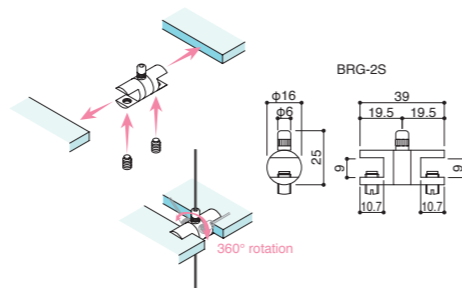


BRG-2S

φ1.0 : 8kg φ1.2 : 10kg φ1.5 : 30kg

Type: glass shelving
 Function: midway
 Material: brass
 Finish: nickel matte finish
 —
 Description
 shelf/panel/sign thickness must be 5-8mm.

BRG-2S CODE:50302

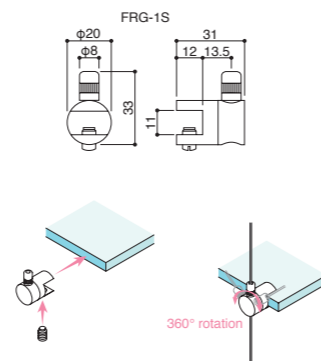


FRG-1S

φ1.5 : 30kg φ2.0 : 50kg φ2.5 : 70kg

Type: glass shelving
 Function: midway
 Material: stainless
 —
 Description
 shelf/panel/sign thickness must be 5-8mm.

FRG-1S CODE:50111

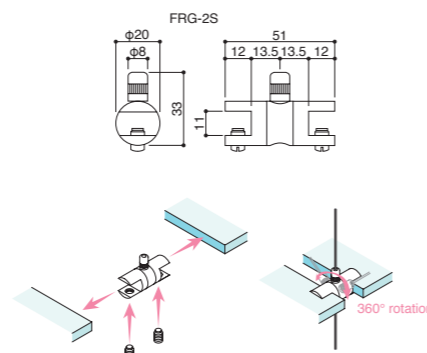


FRG-2S

φ1.5 : 30kg φ2.0 : 50kg φ2.5 : 70kg

Type: glass shelving
 Function: midway
 Material: stainless
 —
 Description
 shelf/panel/sign thickness must be 5-8mm.

FRG-2S CODE:50112

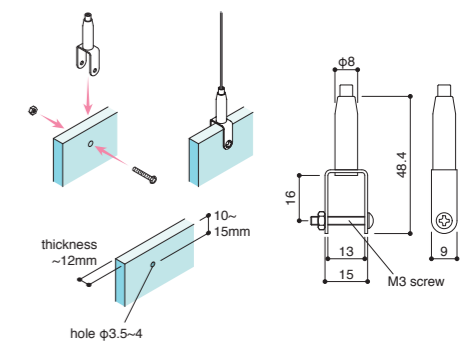


BS-31

φ1.0 : 8kg φ1.2 : 10kg φ1.5 : 30kg

Type: panel
 Function: midway
 Material: stainless
 Finish: satin

BS-31 CODE:73101

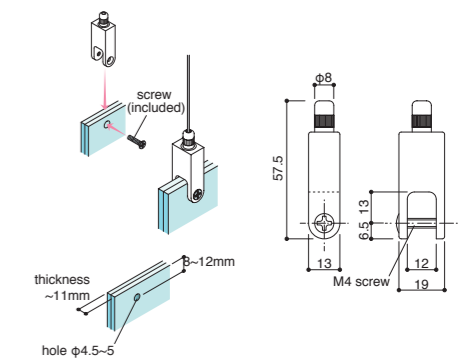


SF-31S

φ1.5 : 30kg φ2.0 : 50kg φ2.5 : 70kg

Type: panel
 Function: midway
 Material: zinc die-casting
 Finish: satin nickel plating (semi glossy)

SF-31S CODE:23101

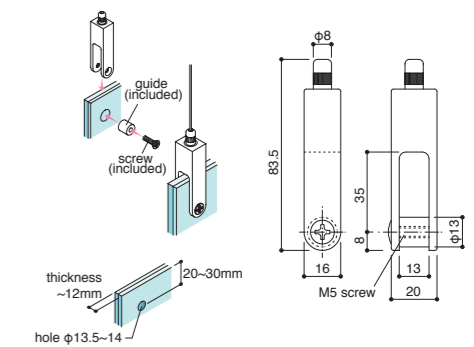


SF-31L-S

φ1.5 : 30kg φ2.0 : 50kg φ2.5 : 70kg

Type: panel
 Function: midway
 Material: zinc die-casting, resin
 Finish: satin nickel plating (semi glossy)

SF-31L-S CODE:23102



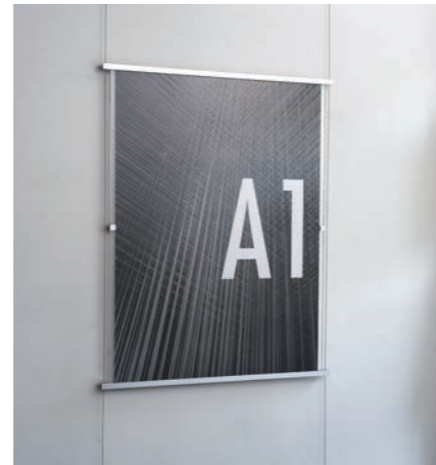
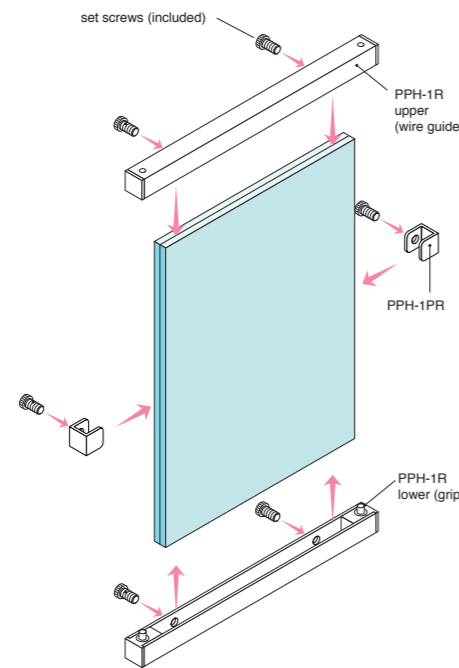
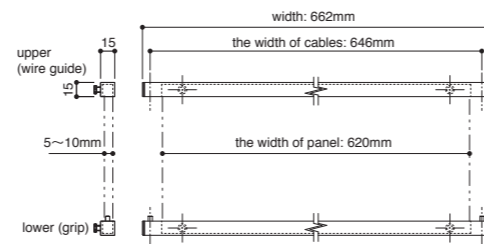


PPH-1R

φ1.0 : 8kg φ1.2 : 10kg φ1.5 : 30kg

Type: panel hanger for acrylic panel
(acrylic panels are not included)
Function: midway
Material: aluminum, zinc-die casting
Finish: alumite, chrome plating

Description
panel thickness must be within 10mm
the width of panels must be 620mm,
the width of cables is 646mm



PPH-1R-620 silver CODE:290062

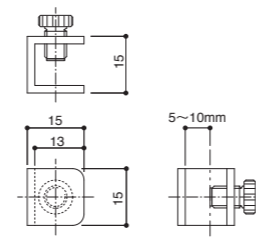


PPH-1PR

Type: panel hanger for acrylic panel
(acrylic panels are not included)
Function: midway
Material: aluminum, brass
Finish: alumite, chrome plating

Description
panel thickness must be within 10mm

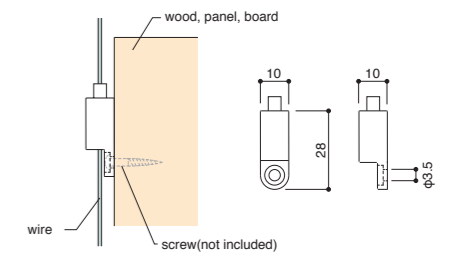
PPH-1PR silver CODE:290901



AD-1

φ1.0 : 8kg φ1.2 : 10kg

Type: screw
Function: midway
Material: steel, zinc die-casting
Finish: chrome plating



AD-1 CODE:80301

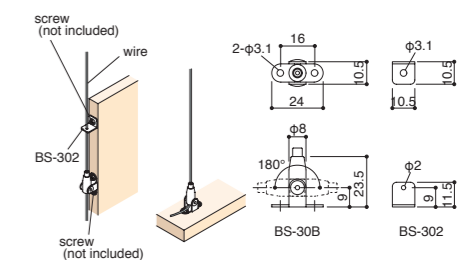


BS-30B

φ1.0 : 8kg φ1.2 : 10kg φ1.5 : 30kg

Type: screw
Function: midway
Material: stainless
Finish: satin
Description
BS-302:L bracket to guide wire

BS-30B CODE:73005
BS-30B-S CODE:73006
BS-302 CODE:10023001

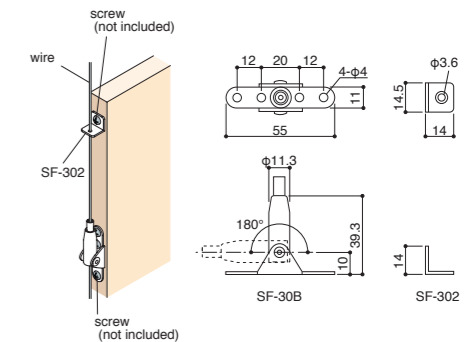


SF-30B

φ1.5 : 30kg φ2.0 : 50kg φ2.5 : 70kg

Type: screw
Function: midway
Material: stainless
Finish: satin
Description
SF-302:L bracket to guide wire

SF-30B CODE:23005
SF-30B-S CODE:23006
SF-302 CODE:10023006

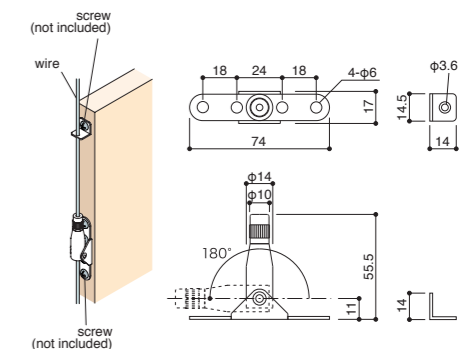


MF-30S

φ3.0 : 100kg

Type: screw
Function: midway
Material: stainless
Description
L bracket to guide wire is included.

MF-30S CODE:183001



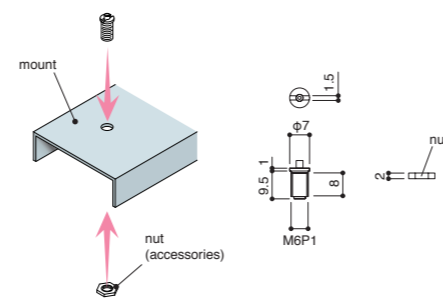


AMK-12

$\phi 0.6$: 3kg $\phi 0.8$: 5kg

Type: **mounted**
 Function: **midway**
 Material: **brass**
 Finish: **nickel finish**
 —
 Description
 The hole must be $\phi 6.2$ to $\phi 6.5$.

AMK-12 CODE:261201

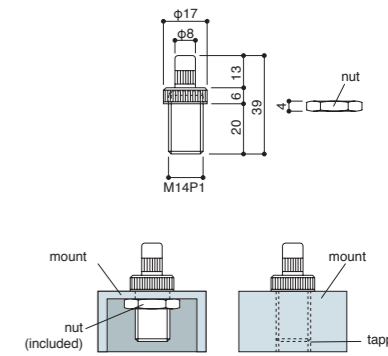


FK-16S

$\phi 1.5$: 30kg $\phi 2.0$: 50kg $\phi 2.5$: 70kg

Type: **mounted**
 Function: **midway**
 Material: **steel (cover nut: brass)**
 Finish: **color chromate/ chrome plating**
 —
 Description
 The hole must be $\phi 14.2$ to $\phi 14.5$.

FK-16S CODE:11604

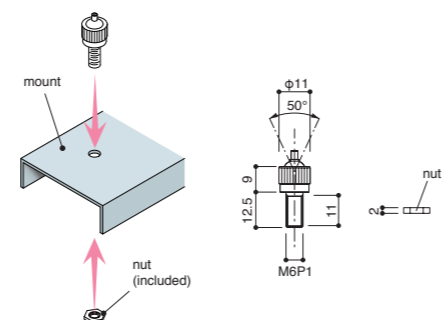


AM-26

$\phi 0.6$: 3kg $\phi 0.8$: 5kg

Type: **mounted**
 Function: **midway**
 Material: **brass**
 Finish: **chrome plating (nut: nickel finish)**
 —
 Description
 The hole must be $\phi 6.2$ to $\phi 6.5$.

AM-26 CODE:262611

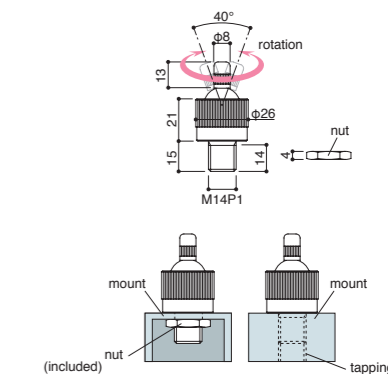


SF-26N-S

$\phi 1.5$: 30kg $\phi 2.0$: 50kg $\phi 2.5$: 70kg

Type: **mounted**
 Function: **midway**
 Material: **stainless, brass (nut: steel)**
 Finish: **matte nickel plating (nut: color chromate)**
 —
 Description
 The hole must be $\phi 14.2$ to $\phi 14.5$.

SF-26N-S CODE:32605



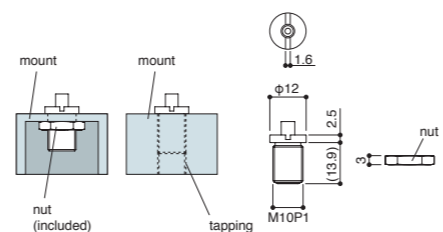
B5R6

$\phi 1.0$: 8kg $\phi 1.2$: 10kg $\phi 1.5$: 30kg

Type: **mounted**
 Function: **midway**
 Material: **brass (nut: steel)**
 Finish: **nickel plating**
 —
 Description
 The hole must be $\phi 10.2$ to $\phi 10.5$.

B5R6 CODE:60040106

B5R6-S CODE:60040107

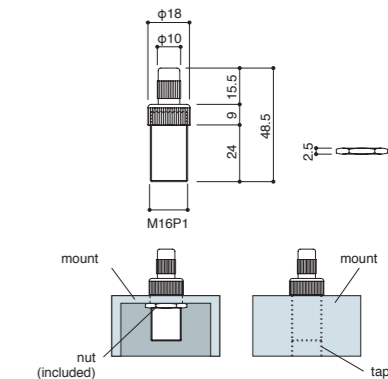


MK-16S

$\phi 3.0$: 100kg

Type: **mounted**
 Function: **midway**
 Material: **stainless (cover nut: brass)**
 Finish: **matte nickel plating**
 —
 Description
 The hole must be $\phi 16.2$ to $\phi 16.5$.

MK-16S CODE:181605



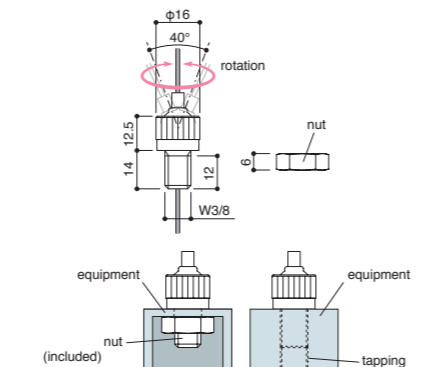
BS-26

$\phi 1.0$: 8kg $\phi 1.2$: 10kg $\phi 1.5$: 30kg

Type: **mounted**
 Function: **midway**
 Material: **brass (nut: steel)**
 Finish: **nickel plating**
chrome plating (nut: unichrome plating)
 —
 Description
 The hole must be $\phi 10$ to $\phi 10.5$.

BS-26 CODE:72601

BS-26S CODE:72602

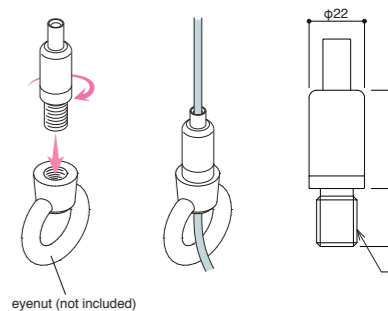


WF-21B

$\phi 3.0$: 100kg $\phi 4.0$: 150kg $\phi 5.0$: 200kg $\phi 6.0$: 300kg

Type: **mounted**
 Function: **midway**
 Material: **stainless**

WF-21B CODE:562105



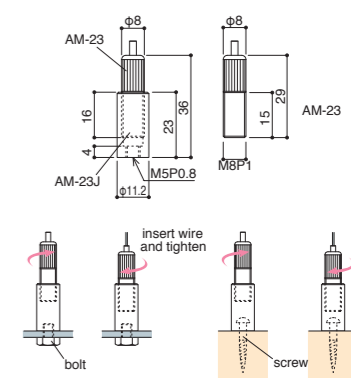
floor



AM-23Jset

φ0.6 φ0.8

Type: tensioner / bolt anchor
 Function: floor
 Material: brass
 Finish: matte nickel plating



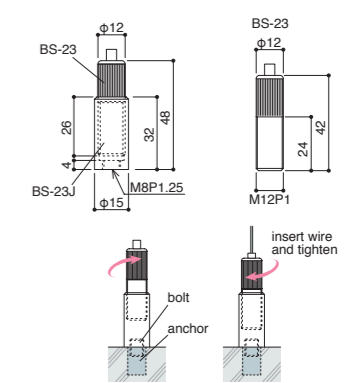
AM-23Jset CODE:262323



BS-23Jset

φ1.0 φ1.2 φ1.5

Type: tensioner / bolt anchor
 Function: floor
 Material: brass
 Finish: matte nickel plating



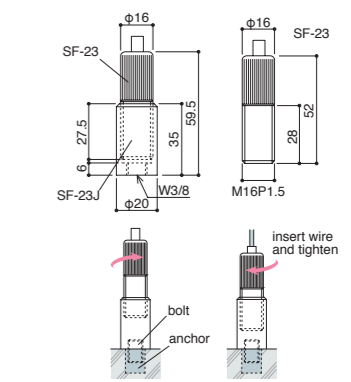
BS-23Jset CODE:72323



SF-23Jset

φ1.5 φ2.0 φ2.5

Type: tensioner / bolt anchor
 Function: floor
 Material: brass
 Finish: matte nickel plating



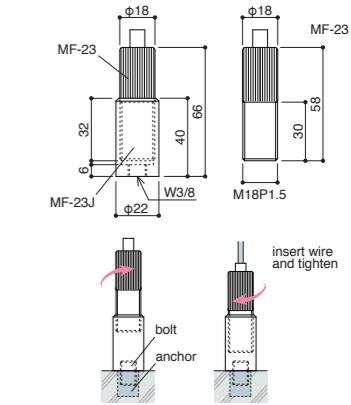
SF-23Jset CODE:32323



MF-23Jset

φ3.0

Type: tensioner / bolt anchor
 Function: floor
 Material: brass
 Finish: matte nickel plating



MF-23Jset CODE:182323

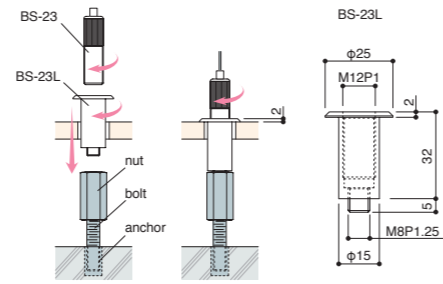


BS-23 + BS-23L

φ1.0 φ1.2 φ1.5

Type: tensioner / floor mounted
 Function: floor
 Material: brass
 Finish: matte nickel plating

BS-23 CODE:72301
 BS-23L CODE:72303

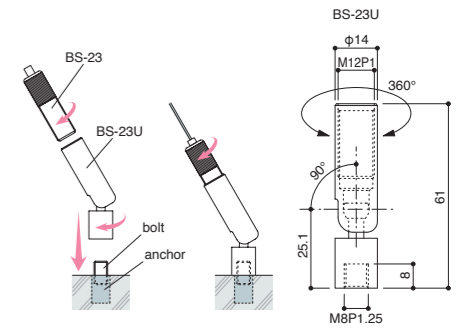


BS-23 + BS-23U

φ1.0 φ1.2 φ1.5

Type: tensioner / anchor /universal
 Function: floor
 Material: brass
 Finish: matte nickel plating

BS-23 CODE:72301
 BS-23U CODE:72304

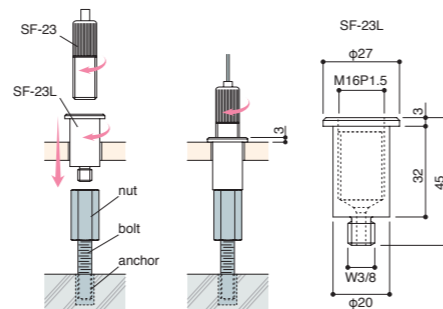


SF-23 + SF-23L

φ1.5 φ2.0 φ2.5

Type: tensioner / floor mounted
 Function: floor
 Material: brass
 Finish: matte nickel plating

SF-23 CODE:32301
 SF-23L CODE:32316

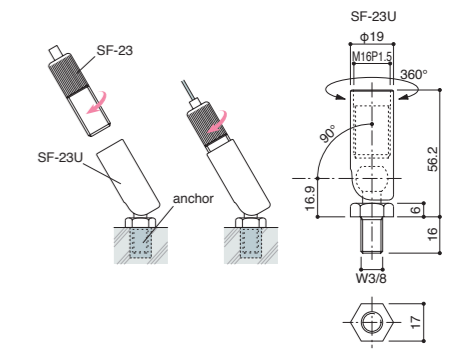


SF-23 + SF-23U

φ1.5 φ2.0 φ2.5

Type: tensioner / anchor /universal
 Function: floor
 Material: brass
 Finish: matte nickel plating

SF-23 CODE:32301
 SF-23U CODE:32305

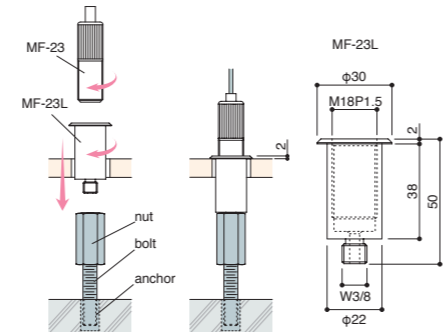


MF-23 + MF-23L

φ3.0

Type: tensioner / floor mounted
 Function: floor
 Material: brass
 Finish: matte nickel plating

MF-23 CODE:182301
 MF-23L CODE:182303



Seibu Shibuya 5th Floor women's "MODE PLUS"
 client: Sogo & Seibu Co., Ltd
 design: Sahori Ohsawa, Yuko Nagayama & Associates
 photo: Nacasa & Partners Inc.

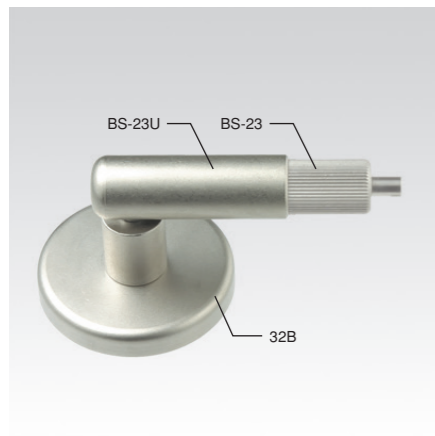
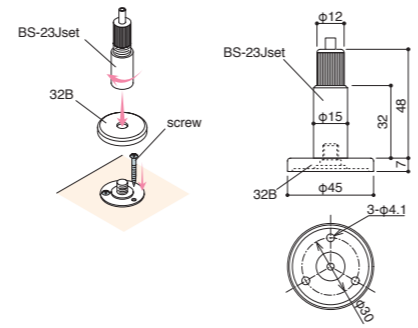


BS-23Jset + 32B

Type: **tensioner / screw**
 Function: **floor**
 Material: **brass (BS-23 Jset), stainless(32B)**
 Finish: **matte nickel plating (BS-23 Jset),
 matte(32B)**

BS-23Jset CODE:72323
32B CODE:10013203

φ1.0 φ1.2 φ1.5

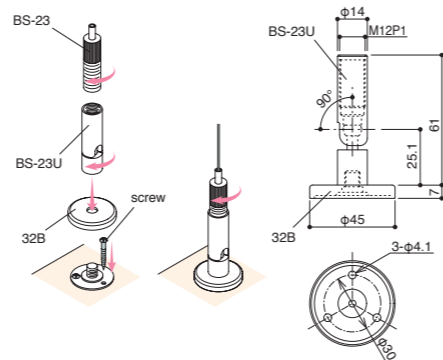


BS-23 + BS-23U + 32B

Type: **tensioner / screw /universal**
 Function: **floor**
 Material: **brass (BS-23 + BS-23U), stainless(32B)**
 Finish: **matte nickel plating (BS-23 + BS-23U),
 matte(32B)**

BS-23 CODE:72301
BS-23U CODE:72304
32B CODE:10013203

φ1.0 φ1.2 φ1.5

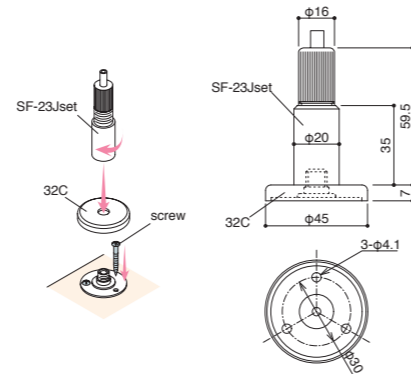


SF-23Jset + 32C

Type: **tensioner / screw**
 Function: **floor**
 Material: **brass**
 Finish: **matte nickel plating**

SF-23Jset CODE:32323
32C CODE:10013202

φ1.5 φ2.0 φ2.5

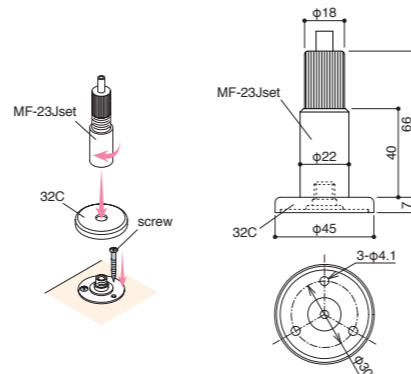


MF-23Jset + 32C

Type: **tensioner / screw**
 Function: **floor**
 Material: **brass**
 Finish: **matte nickel plating**

MF-23Jset CODE:182323
32C CODE:10013202

φ3.0

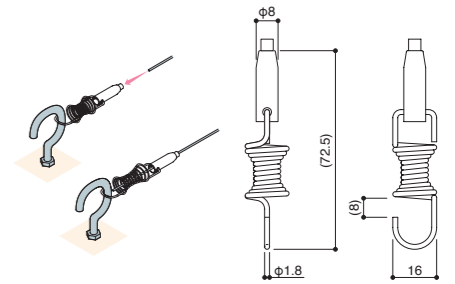


SP-1

Type: **hook / tensioner**
 Function: **floor**
 Material: **stainless**
 Finish: **satin**
 Description
Spring's safety load: 2.5kg

SP-1 CODE:210101

φ1.0 φ1.2 φ1.5

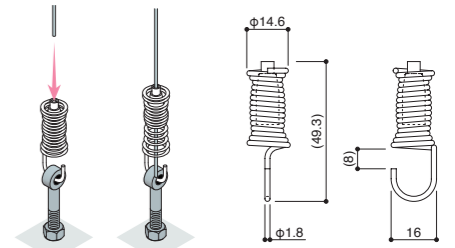


SP-3

Type: **hook / tensioner**
 Function: **floor**
 Material: **stainless**
 Description
Spring's safety load: 2.5kg

SP-3 CODE:210103

φ1.0 φ1.2 φ1.5

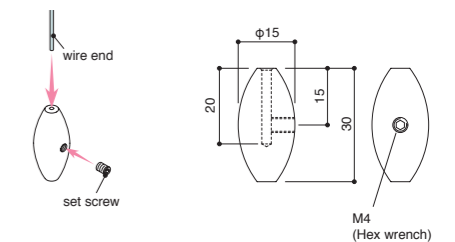


CE-3

Type: **wire end piece**
 Function: **midway**
 Material: **brass**
 Finish: **matte nickel plating**
 Description
**CE-3 is to prevent theft of the hanging item.
 CE-3 do not have the gripper mechanism.**

CE-3 CODE:180503

φ0.6 - φ2.5

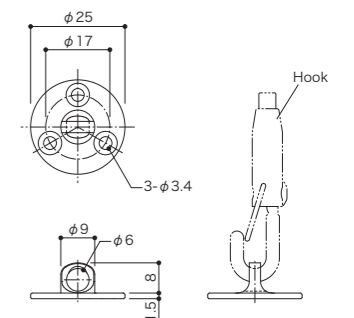


32H

Type: **floor base**
 Function: **attach hooks to floor**
 Material: **brass**
 Finish: **matte nickel plating**
 Description

Compatible hooks :
 AF-3 (Chrome, White, Black)
 AF-3P (Chrome, White, Black, Stainless) BS-20R ,
 BS-20RP , BS-20RP-S , KH-1S SF-20R , SF-20RP ,
 SF-20RP-S , KH-2S
 • Use this piece to prevent swinging wires. Screw the plate to the floor and
 insert the hook.
 • Please use a no.3 tapping screw to affix the hardware to the floor.

32H CODE:10013208



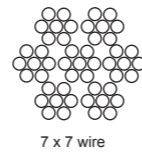


Stainless Steel Wire

Product: wire cable
Material: stainless

Description

- Our products should only be used with 7×7 aircraft wire.
- We provide wire with soldered ends. We can also provide wire with loop and ball stop. Please contact to us if you like detailed information.
- If cutting wire on your own, use appropriate wire cutters and solder the wire. Wire ends can also be fixed with superglue, but one must make sure the wire ends are neat and clean to avoid fraying, and allow glue to dry completely before installing the wire into the gripper.



LINE UP CODE

item	color	wire diameter	1m	2m	3m	5m	10m	50m	100m
Wire soldered end	silver	φ 0.6	90010610	90010620	90010630	90010650	90010691	—	90010690
		φ 0.8	90010810	90010820	90010830	90010850	90010891	—	90010890
		φ 1.0	90011010	90011020	90011030	90011050	90011091	90011095	90011090
		φ 1.2	90011210	90011220	90011230	90011250	90011291	90011295	90011290
		φ 1.5	90011510	90011520	90011530	90011550	90011591	90011595	90011590
		φ 2.0	90012010	90012020	90012030	90012050	90012091	90012095	—
		φ 2.5	90012510	90012520	90012530	90012550	90012591	90012595	—
		φ 3.0	90013010	90013020	90013030	90013050	90013091	90013095	—
	φ 5.0	Please contact us if you like detailed information			—	—	—	—	
	φ 6.0	Please contact us if you like detailed information			—	—	—	—	
white	φ 1.2	90231210	90231220	90231230	90231250	90231291	90231295	90231290	
	φ 1.5	90251510	90251520	90251530	90251550	90251591	—	90251590	
black	φ 1.2	90241210	90241220	90241230	90241250	90241291	—	90241290	
	φ 1.5	90261510	90261520	90261530	90261550	90261591	—	90261590	

BSC-1S set



BSC-1S set CODE: 79034

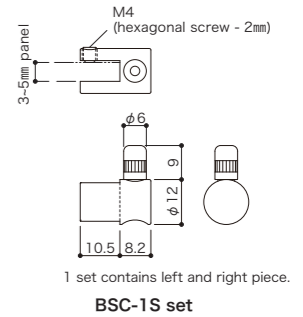
(Left and Right Hardware = 1 set)

Usage Midway Type Panel Hanger

Material : Brass
Finish : Chrome

- No need to drill holes in the panel to hang them
- The hardware is small and suitable for hanging small panels.
- Comes as a set of right side and left side grippers (2 pieces in total)
- Works with panels between 3 mm and 5 mm thick.
- Panels are screwed in via set screw on the side of the hardware. Please use lightweight panels.
- Wires thread through the entire hardware, making adjustment smooth and easy.
- Works with wires φ 1.0, φ 1.2mm in diameter.
- Installation guides are marked on the panel.
- This hardware cannot be attached to a panel made of hard materials such as glass as the screw tips will not provide enough holding force on such materials.
- Be careful of cracking the panels when fixing the screws from excess force.

φ 1.0 φ 1.2



BSC-1G set CODE: 79035

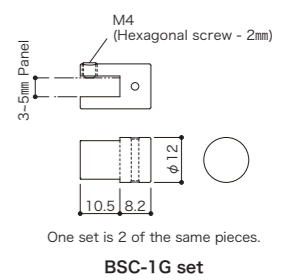
BSC-1G set

BSC-1S set Paired Wire Guide Piece

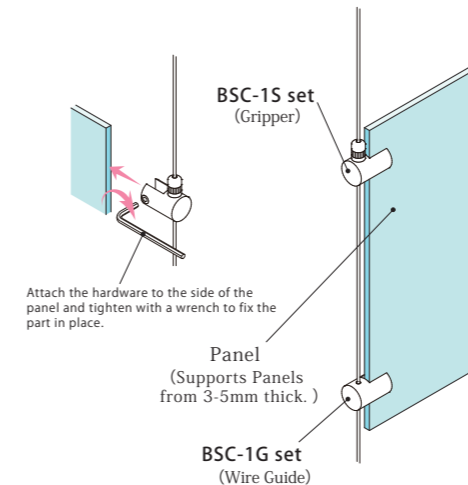
- Designed to be paired with the BSC-1S to secure panels onto the wire.
- Can also be used to hold panels shut.

BSC-1G set CODE: 79035

One set is 2 pieces of the same hardware.

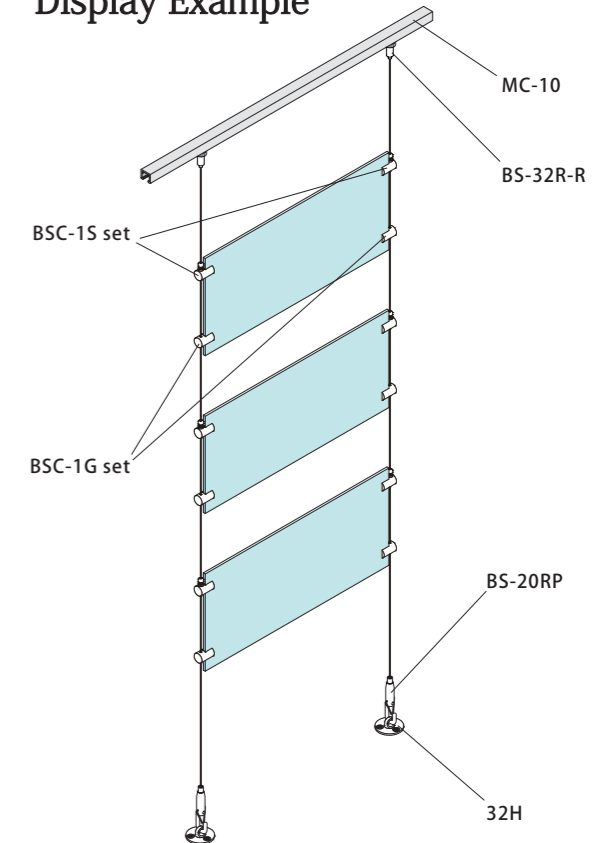


- Secure a panel from the sides without having to drill any holes.



Without using Wire Guides (BSC-1G set), this display was achieved by using only the BSC-1S set.

Display Example



BSU-1S

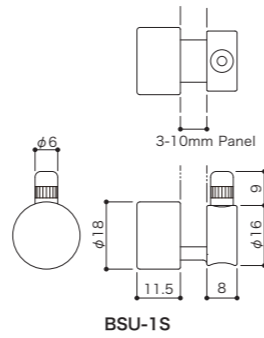
φ1.0 φ1.2 φ1.5



Usage Midway **Type** Panel Hanger
 Material : Brass
 Finish : Chrome

- No need to drill holes in the panel to hang them
- Panels are supported **from the bottom**.
- Large surface area on the gripper means that it is less likely to be damaged and panels can be easily replaced.
- Panels from 3mm to 10mm thick can be used with this hardware.
- Panels up to A3 sizing can be used with no problem.
- As the wire threads completely through the hardware, adjustment can be performed smoothly and easily.

BSU-1S CODE: 79212



BSU-1S

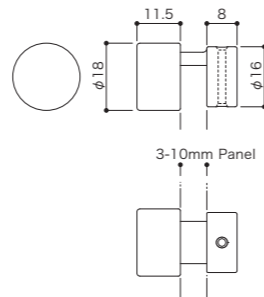


BSU-1G

BSU-1S Paired Wire Guide Piece

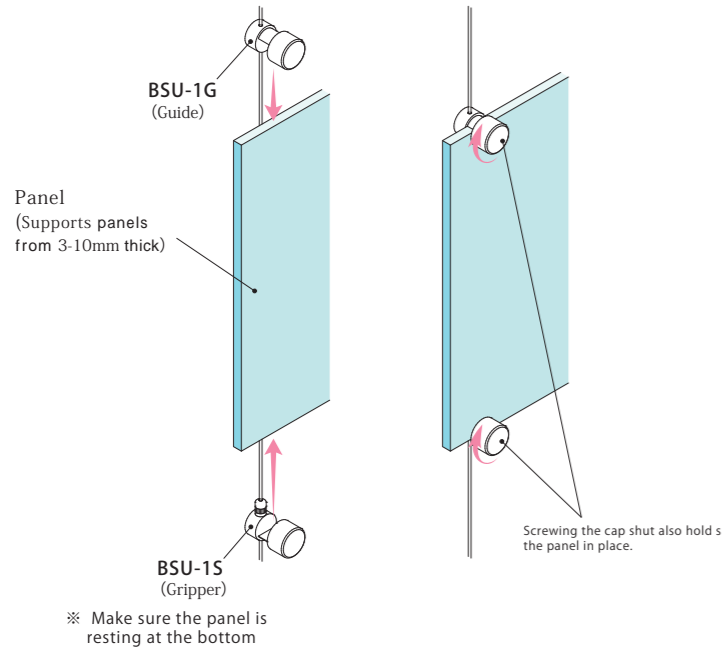
- Designed to be paired with the BSU-1S to secure panels onto the wire.
- Can also be used to hold panels shut.

BSU-1G CODE: 79213

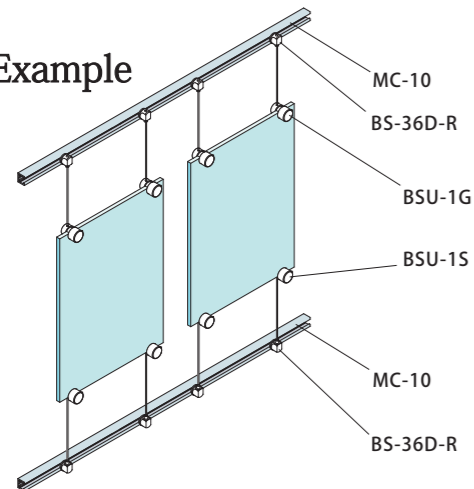


BSU-1G

■ Secure a panel from the top without having to drill any holes



Display Example



The panels above are A3 size

BSK-1S

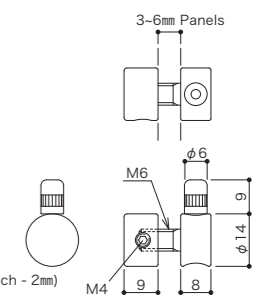
φ1.0: 8kg φ1.2: 10kg φ1.5: 30kg



Usage Midway **Type** Panel Hanging
 Material : Brass
 Finish : Chrome

- Panel attached securely via a hole that the hardware goes through.
- Recommended for Mid-Large Sized Panels.
- Can be used on panels that are 3mm to 6mm thick.
- Secure attachment means that panels larger than A2 sizes can be hung.
- As the wire threads completely through the hardware, adjustment can be performed smoothly and easily.
- Please drill diameter 7-8mm holes in the panel for the hardware.
- When hanging large panels, please take into account external forces such as strong winds which may damage the gripper and the wires. Hang in areas of relative stability.

BSK-1S CODE: 79112



BSK-1S

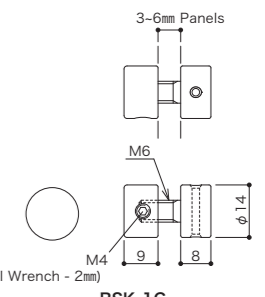


BSK-1G

BSK-1S Paired Wire Guide Piece

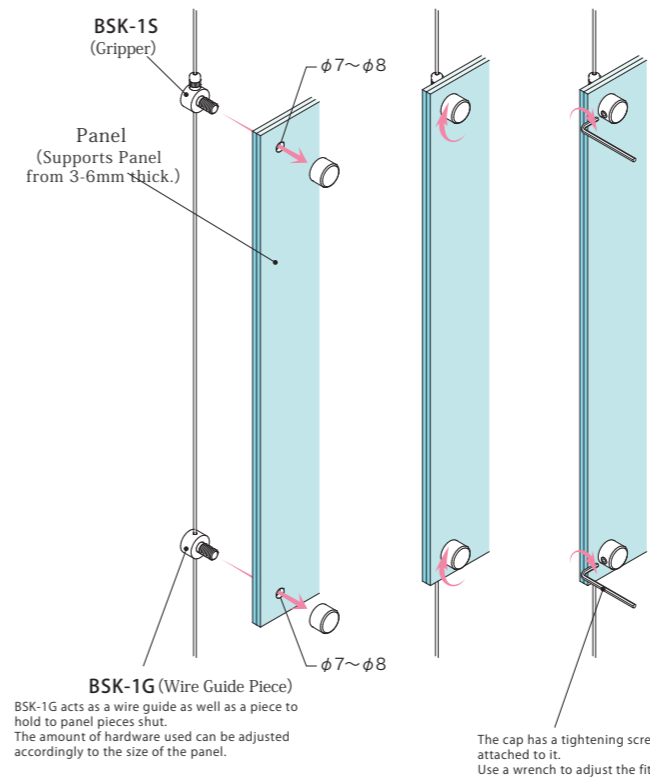
- Designed to be paired with the BSK-1S to secure panels onto the wire.
- Can also be used to hold panels shut.

BSK-1G CODE: 79113



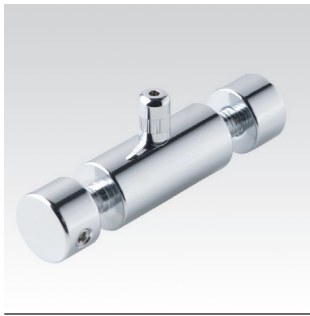
BSK-1G

■ Since the hardware is threaded through a hole in the panel, the panels can be secured tightly with the hexagonal wrench.



Adjust the amount of guides (BSK-1G) according to the size of the panel. (Example) The picture above uses 4 BSK-1G guides to hang an A2 panel.

BSK-2S

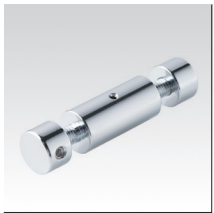


Usage **Midway** Type **Panel Hanging**

Material : Brass
Finish : Chrome

- Panel attached securely via a hole that the hardware goes through.
- Panels can be attached to both sides of the hardware
- Recommended for Mid-Large Sized Panels.
 - Can be used on panels that are 3mm to 6mm thick.
 - Secure attachment means that panels larger than A2 sizes can be hung.
 - When panels are mounted on both sides, the panels can be suspended parallel without falling forward.
 - As the wire threads completely through the hardware, adjustment can be performed smoothly and easily.
 - Please drill diameter 7-8mm holes in the panel for the hardware.
 - When hanging large panels, please take into account external forces such as strong winds which may damage the gripper and the wires. Hang in areas of relative stability.

BSK-2S CODE: 79117



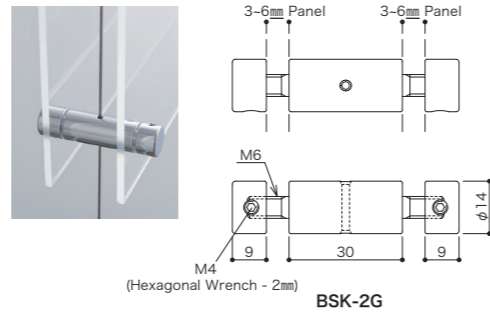
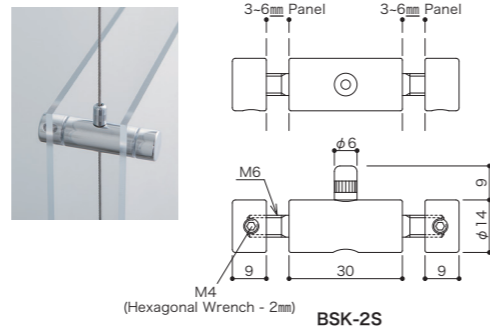
BSK-2G

BSK-2S Paired Wire Guide Piece

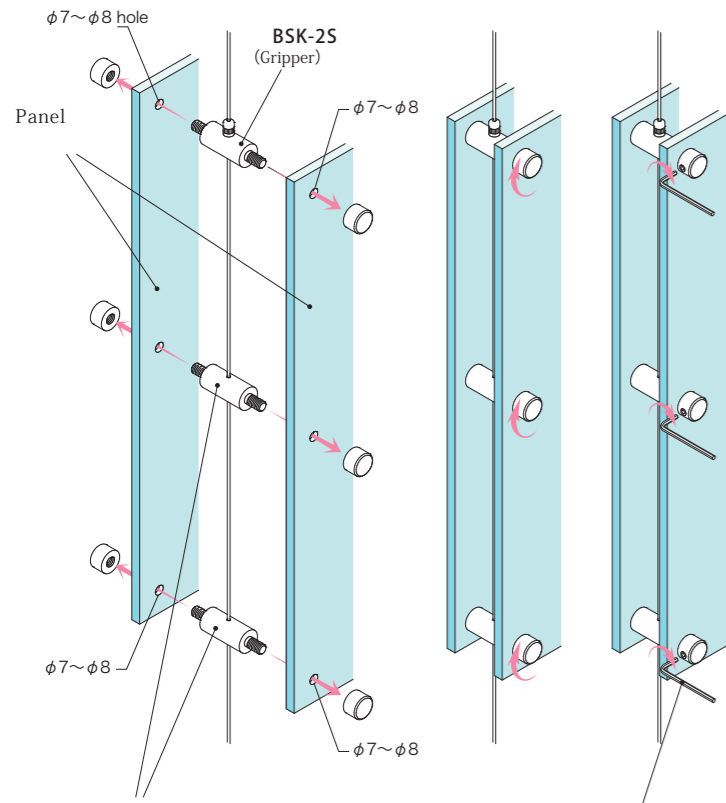
- Designed to be paired with the BSK-2S to secure panels onto the wire.
- Can also be used to hold panels shut.

BSK-2G CODE: 79118

φ1.0: 8kg φ1.2: 10kg φ1.5: 30kg



■ Since the panels can be attached on both sides of the metal fittings, you can produce three-dimensional signs. The front won't collapse, so items can be hung between the panels as well.



BSK-2G (Wire Guide Piece)
BSK-2G acts as a wire guide as well as a piece to hold to panel pieces shut. The amount of hardware used can be adjusted accordingly to the size of the panel.

The cap has a tightening screw attached to it. Use a wrench to adjust the fit.



Other items (Such as clothes shown above) can also be displayed.

AU-72 , BU-72

AU-72 / φ0.6:3kg φ0.8:5kg φ1.0 · φ1.2:8kg
BU-72 / φ1.0:8kg φ1.2:10kg φ1.5:30kg



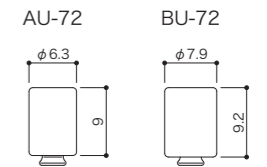
Silver CODE: 330021

Usage **Midway** Type **Object Hanger**

Material : Brass
Finish : AU-72 Silver, BU-72 / Chrome
AU-72 Black/ Black Zinc

- The smallest gripper available.
- AU-72 : φ0.6 ~ 1.2 wire (up to 8kg)
- BU-72 : φ1.0 ~ 1.5 wire

- Adjustment along the wire can be done via the pin on the bottom of the gripper.
- Can be used to hang small objects create installation exhibits.
- is not an eyesore when creating displays due to its compact shape.
- AU-72 and BU-72 are sold in units of 10 pieces.



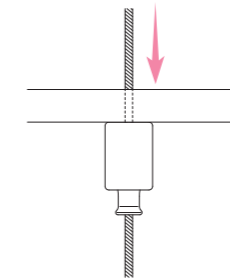
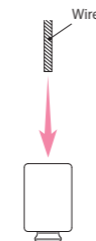
Black CODE: 330023

BU-72 CODE: 330121

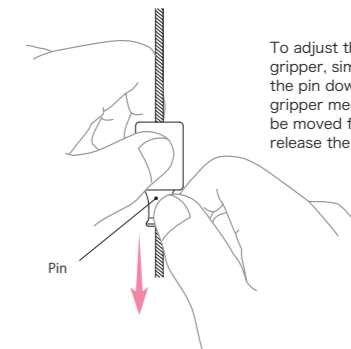
MOQ: 10 pieces
(Please inquire with us for orders over 1000 pieces)

MOQ: 10 pieces
(Please inquire with us for orders over 1000 pieces)

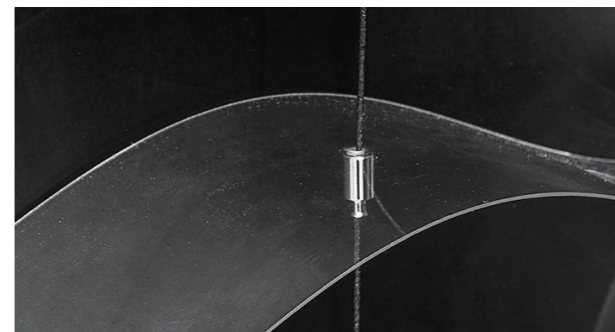
MOQ: 10 pieces
(Please inquire with us for orders over 1000 pieces)



Once the wire is fed through, it grips and can hold downward force applied to it. Thus, the object being hung will rest above the gripper.



To adjust the positioning of the gripper, simply hold the body and pull the pin downwards. This releases the gripper mechanism and the body can be moved freely. To lock, simply release the pin



Drilling the hardware to fit the object, embeds the metal fittings almost out of sight.



Yoji and Shoryu Hatoba KAMON EXHIBITION

INDEX

0-9	32B	56	H	HJ-HD wire set	29
	32C	56	J	J1-01	28
	32H	57		J1-03	16, 17, 20, 26
A	AD-1	49	K	KH-1S	38
	AF-3 black/chrome/white	37		KH-2S	38
	AF-3P black/chrome/white	37	M	MC-10 2000 black/silver/white	16
	AF-3P SUS	37		MC-10E black/silver/white	16
	AM-20	37		MC-11 2000 silver/white	17
	AM-23	22		MC-11E silver/white	17
	AM-23J-R	22		MF-16	41
	AM-23Jset	53		MF-21S	40
	AM-26	50		MF-23	54
	AM-32R-R	18		MF-23Jset	53, 56
	AMK-12	50		MF-23L	54
	AU-72	63		MF-25S	34
B	B5R6	50		MF-27S	31
	B5R6-S	50		MF-30S	49
	BRB-1S	42		MF-32+T-S	33
	BRB-2S	42		MF-33M+T-S	32
	BRG-1S	46		MF-35+R-S	45
	BRG-2S	46		MF-35S	43
	BRL-1S	44		MF-38S	32
	BS-16	41		MH-1 2000 silver	20
	BS-20RP	38		MH-1E	20
	BS-20RP-S	38		MH-3 2000 white	26
	BS-21	40		MH-3E white	26
	BS-22	40		MK-16S	51
	BS-23	22, 54, 55, 56	P	PPH-1PR	48
	BS-23J-Rset	22		PPH-1R-620 silver	48
	BS-23Jset	53, 56	S	SF-16	41
	BS-23L	54		SF-16S	41
	BS-23U	55,56		SF-20RP	38
	BS-23U-R	22		SF-20RP-S	38
	BS-25	34		SF-21	40
	BS-26	50		SF-23	54, 55
	BS-26S	50		SF-23Jset	53, 56
	BS-27	31		SF-23L	54
	BS-302	49		SF-23U	55
	BS-30B	49		SF-25	34
	BS-30B-S	49		SF-25S	34
	BS-31	47		SF-26N-S	51
	BS-32+T	33		SF-27	31
	BS-32R-R silver/white	18		SF-302	49
	BS-32U-R	18		SF-30B	49
	BS-35	43		SF-30B-S	49
	BS-35+R	45		SF-31L-S	47
	BS-35S	43		SF-31S	47
	BS-36D-R	18		SF-32+T	33
	BS-38+T	32		SF-32+TR-R	21
	BSC-1G set	59		SF-32R-R	21, 26
	BSC-1S set	59		SF-35	43
	BSK-1G	61		SF-35+R	45
	BSK-1S	61		SF-35S	43
	BSK-2G	62		SF-38	32
	BSK-2S	62		SM-20VKP-S	39
	BSU-1G	60		SM-20VP	39
	BSU-1S	60		SM-20VP-S	39
	BU-70	44		SP-1	57
	BU-72	63		SP-3	57
C	CE-3	57		Stainless Steel Wire	58
	CF-1 white/off white	24	T	SU-70	44
	CR-1	25		TF-18+TR-R	22
	CRE 1800 white/off white	24	V	VF-20S	39
	CRJ 2000 white	25		VH-4 2000 silver	28
F	FK-16S	51		VH-4E	28
	FRB-1S	42		VJ-HD 3010	29
	FRB-2S	42		VJ-HD 3020	29
	FRG-1S	46		VJ-HD 3030	29
	FRG-2S	46		VJ-HD 4010	29
				VJ-HD 4020	29
				VJ-HD 4030	29
			W	WF-16	41
				WF-21B	51
				WF-32+T	33

JAPAN SHOP 2016

DSA design award silver prize



ARAKAWA
加藤良三工業株式会社